

**HOUSTON LIVESTOCK SHOW AND RODEO™**

**PAINT HORSE  
SHOW**

**PATTERN BOOK**

**March 14-15, 2021**

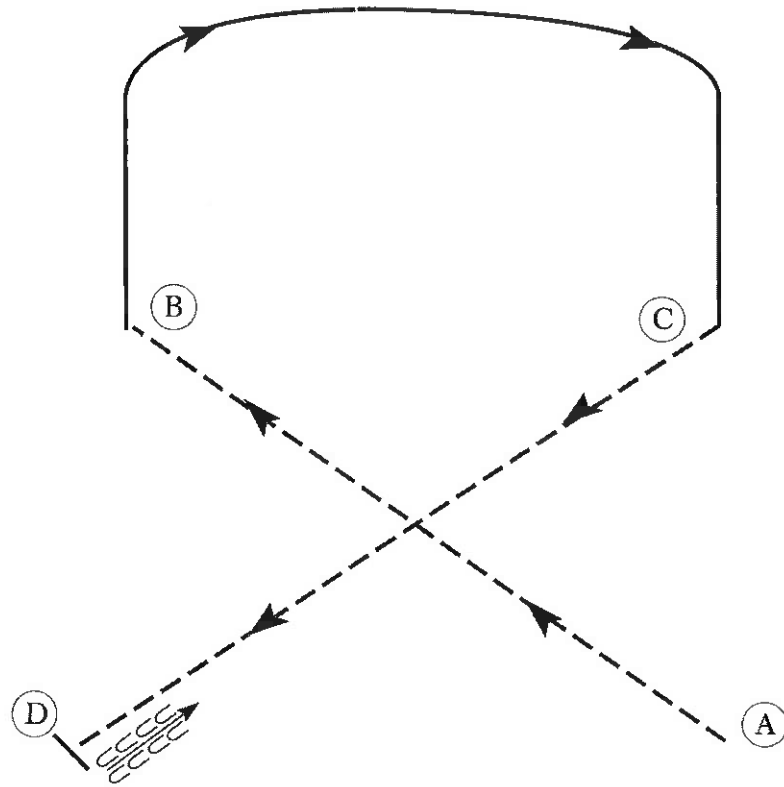
# Houston Livestock Show

## Hunt Seat Equitation (All Novice)

Show Date: March 14 - 15

www.horseshowpatterns.com

www.horseshowpatterns.com



Be ready at A.

1. Posting trot on the left diagonal to B.
2. Canter right lead to C.
3. Posting trot on the right diagonal 1/2 way to D.
4. Sitting trot to D.
5. Halt at D and back approximately one horse length.

Exit at a sitting trot.

Walk	-----
Trot	-----
Extended Trot	-----
Canter	=====
Leg Yield	
Lead Change	↙
Back	←←←
Marker	⊙ B
Sidepass	←←
Hand Gallop	-----

Pattern Provided by:

[HSE/1-23]

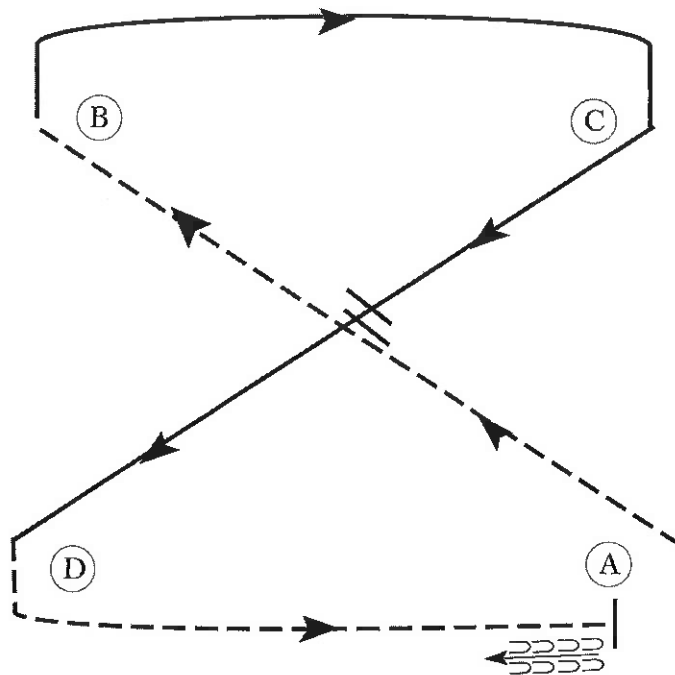
# Houston Livestock Show

## Hunt Seat Equitation (Youth & Amateur)

Show Date: March 14 - 15

w w w . H o r s e S h o w P a t t e r n s . c o m

w w w . H o r s e S h o w P a t t e r n s . c o m



Be ready at A.

1. Posting trot on the left diagonal to B.
2. Canter on the right lead to and around C and 1/2 way to D.
3. Change leads and canter to D.
4. Posting trot on the right diagonal to A.
5. Halt at A and back approximately one horse length.

Exit at a sitting trot.

Walk	-----
Trot	- - - - -
Extended Trot	-----
Canter	-----
Leg Yield	
Lead Change	---/---
Back	←←←
Marker	ⓑ
Sidepass	←←
Hand Gallop	-----

[HSE/2-24]

Pattern Provided by:

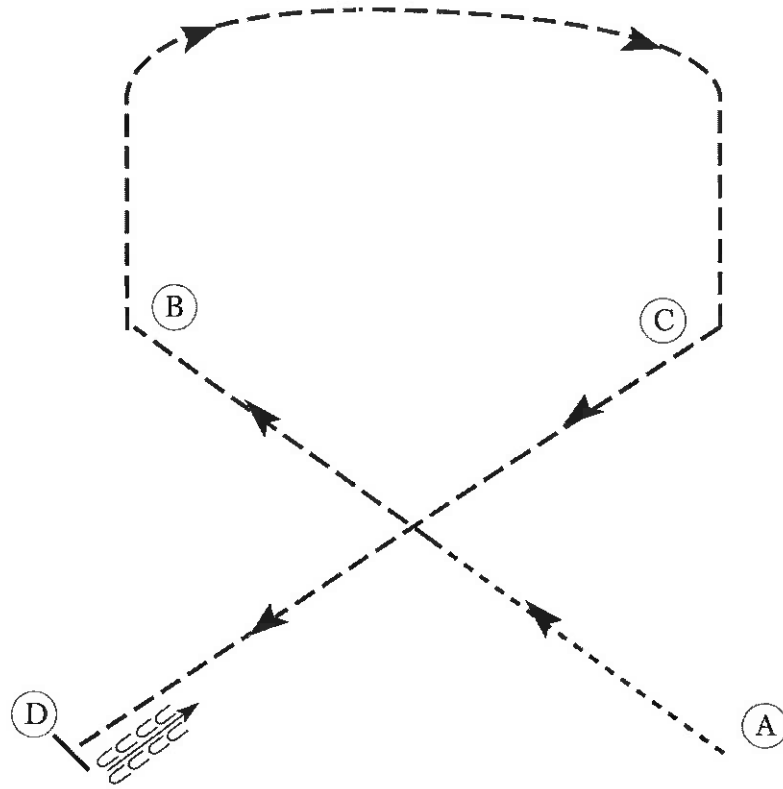
# Houston Livestock Show

## Hunt Seat Equitation (All Walk-Trot)

Show Date: March 14 - 15

w w w . H o r s e S h o w P a t t e r n s . c o m

w w w . H o r s e S h o w P a t t e r n s . c o m



Be ready at A.

1. Walk 1/2 way to B.
2. Posting trot on the left diagonal to B.
3. Sitting trot to C.
4. Posting trot on the right diagonal 1/2 way to D.
5. Sitting trot to D.
6. Halt at D and back approximately one horse length.

Exit at a sitting trot.

Walk	-----
Trot	- - - - -
Extended Trot	— — — — —
Canter	—————
Leg Yield	
Lead Change	— / —
Back	←←←
Marker	Ⓚ
Sidepass	←←←
Hand Gallop	— — — — —

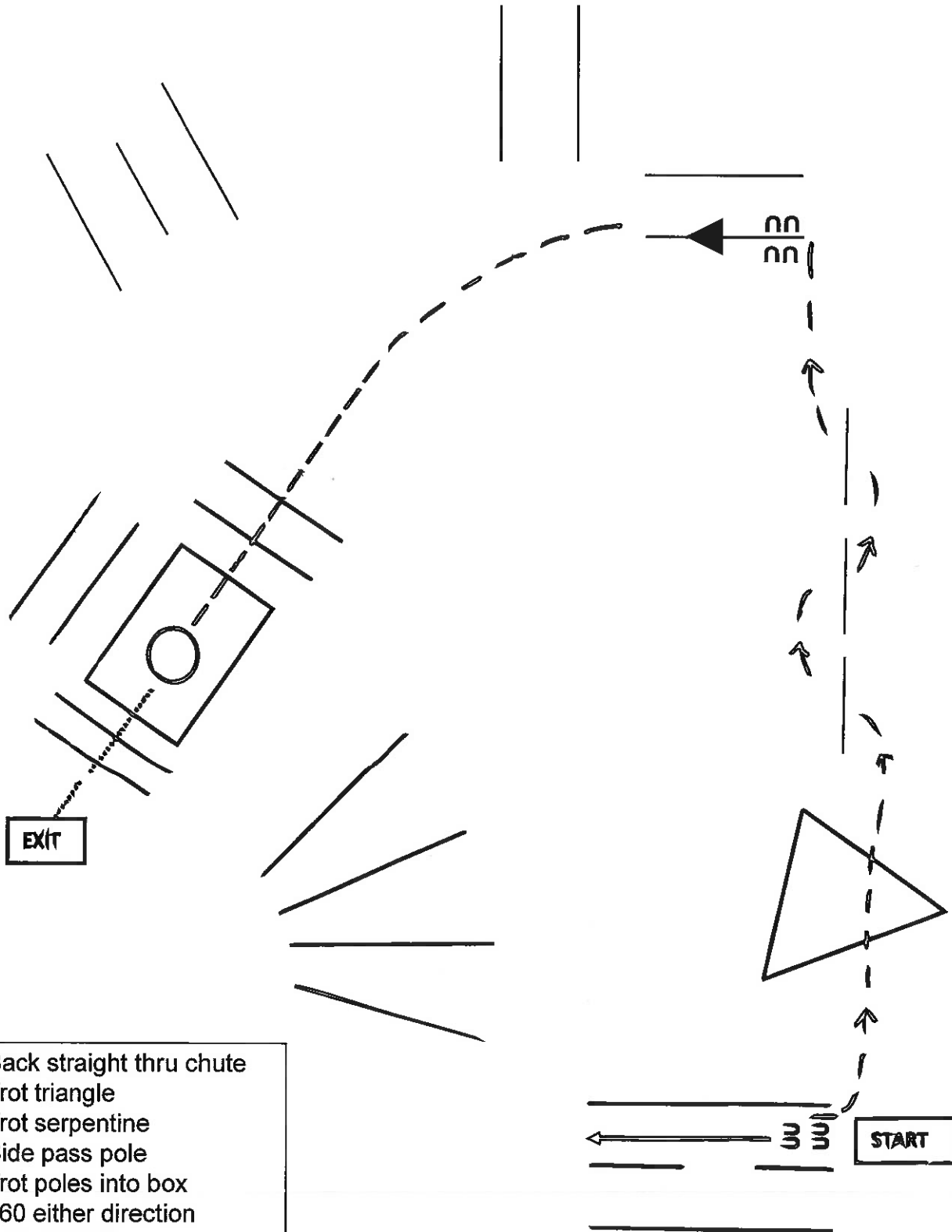
[HSE/WT-23]

Pattern Provided by:

# Houston Livestock Show

## Trail (All Walk Trot)

Show Date: March 14 - 15

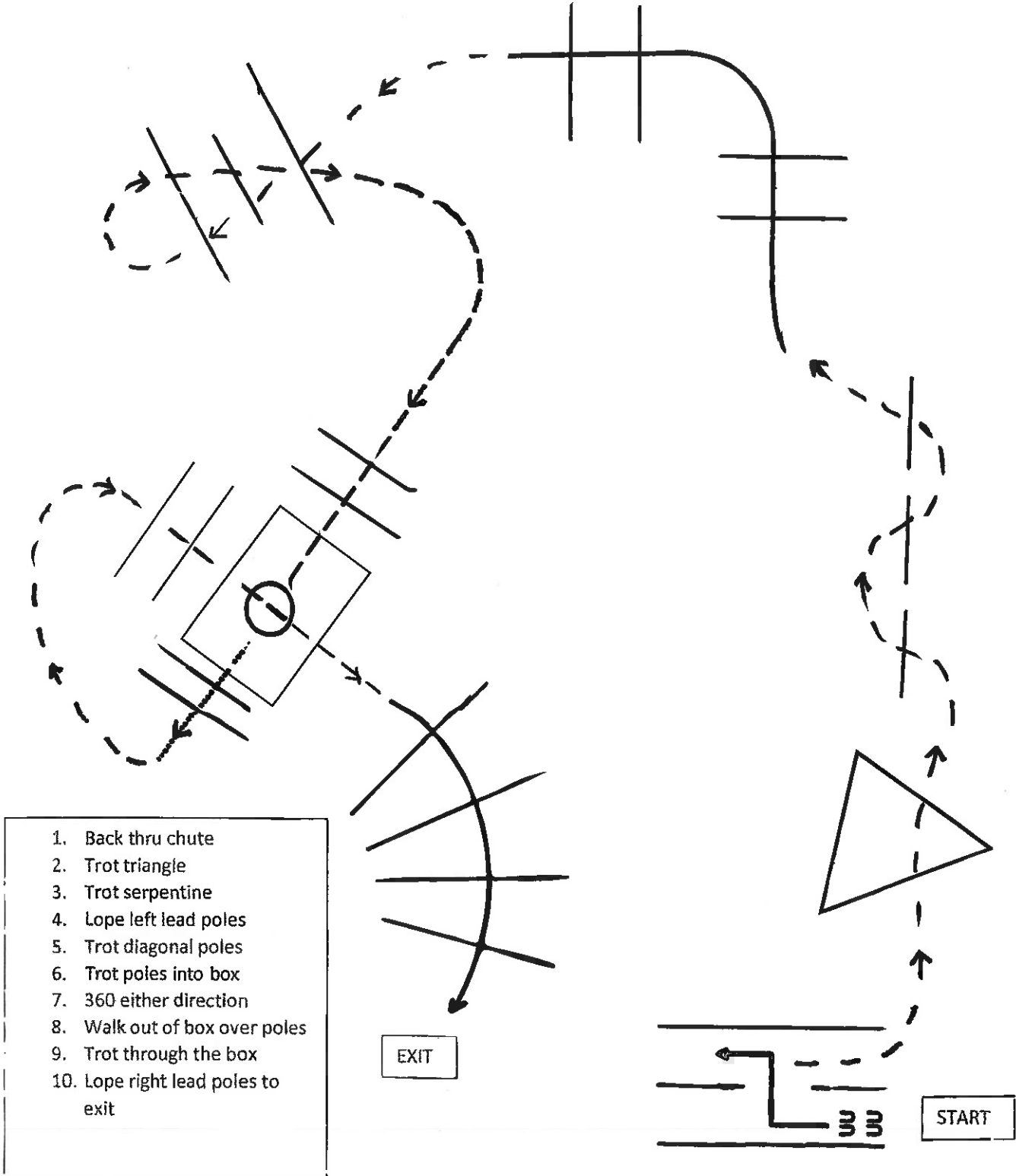


1. Back straight thru chute
2. Trot triangle
3. Trot serpentine
4. Side pass pole
5. Trot poles into box
6. 360 either direction
7. Walk out of box over poles

# Houston Livestock Show Trail

(Nov. Youth-Green-Nov. AM-Youth 13 & U SPB)

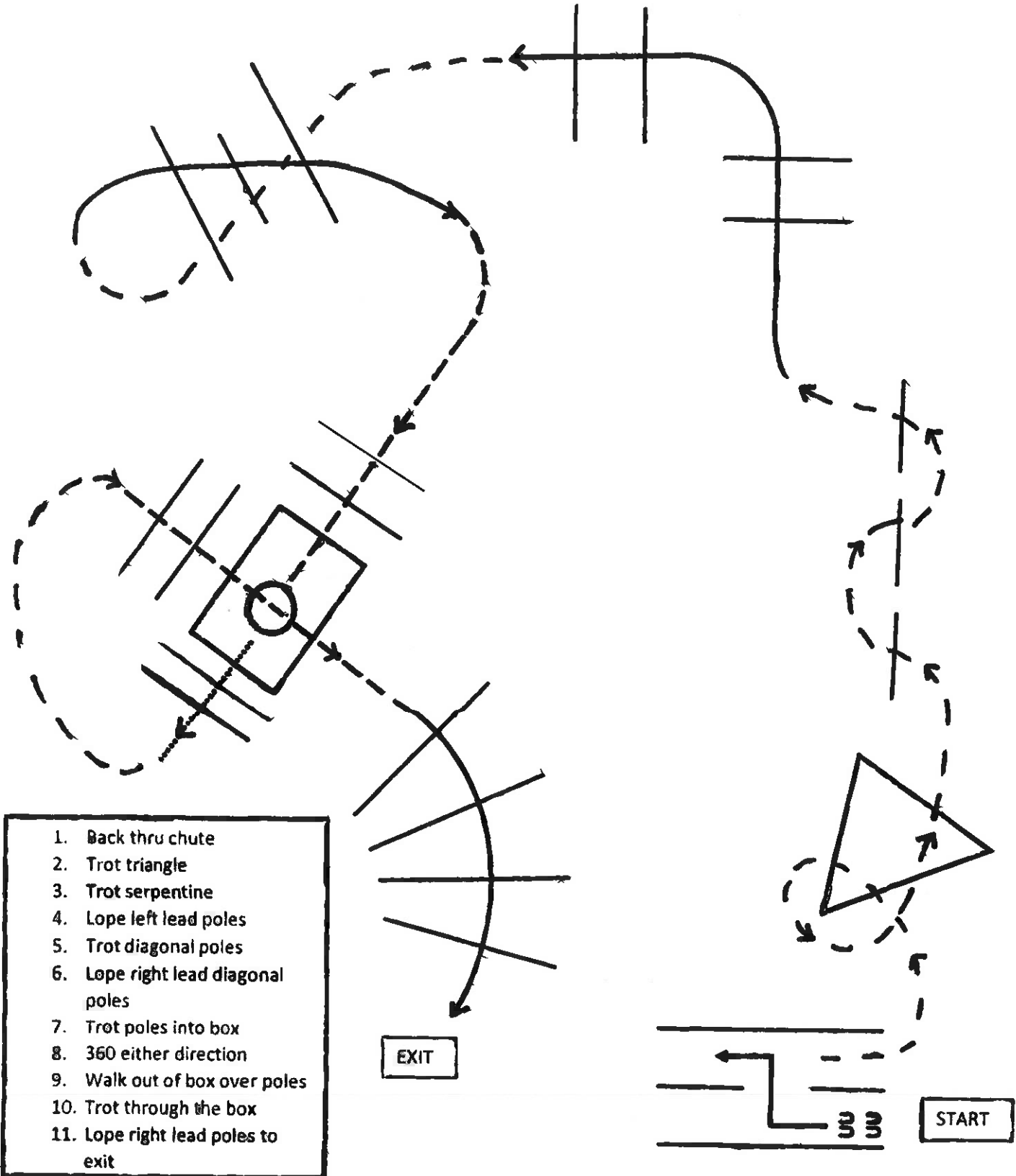
Show Date: March 14 - 15



# Houston Livestock Show

## Trail (Youth 18 & U-Amateur-Open)

Show Date: March 14 - 15



# Houston Livestock Show

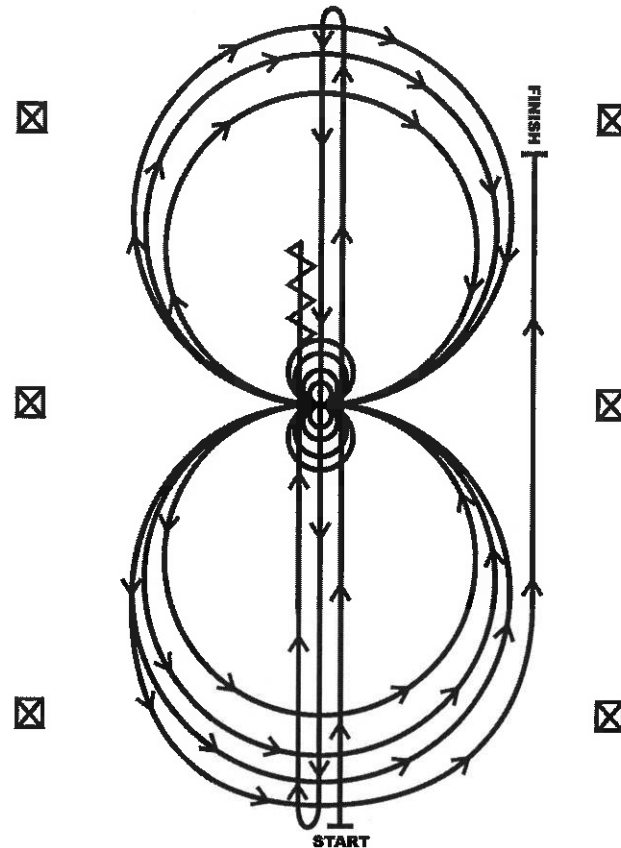
## Ranch Reining (All Classes)

### Show Date: March 14 - 15

www.HorseShowPatterns.com

www.HorseShowPatterns.com

#### REINING PATTERN I



1. Run at speed to the far end of the arena past the endmarker and do a left rollback—no hesitation.
2. Run to the opposite end of the arena past the end marker and do a right rollback—no hesitation.
3. Run past the center marker and do a sliding stop. Back up to center of the arena or at least ten feet (three meters). Hesitate.
4. Complete four spins to the right. Hesitate.
5. Complete four and one-quarter spins to the left so that horse is facing left wall or fence. Hesitate.
6. Beginning on the left lead, complete three circles to the left: the first circle large and fast; the second circle small and slow; the third circle large and fast. Change leads at the center of the arena.
7. Complete three circles to the right: the first circle large and fast; the second circle small and slow; the third circle large and fast. Change leads at the center of the arena.
8. Begin a large circle to the left but do not close this circle. Run straight up the right side of the arena past the center marker and do a sliding stop at least twenty feet (six meters) from wall or fence. Hesitate to demonstrate the completion of the pattern.

[R/AQHAP-1]

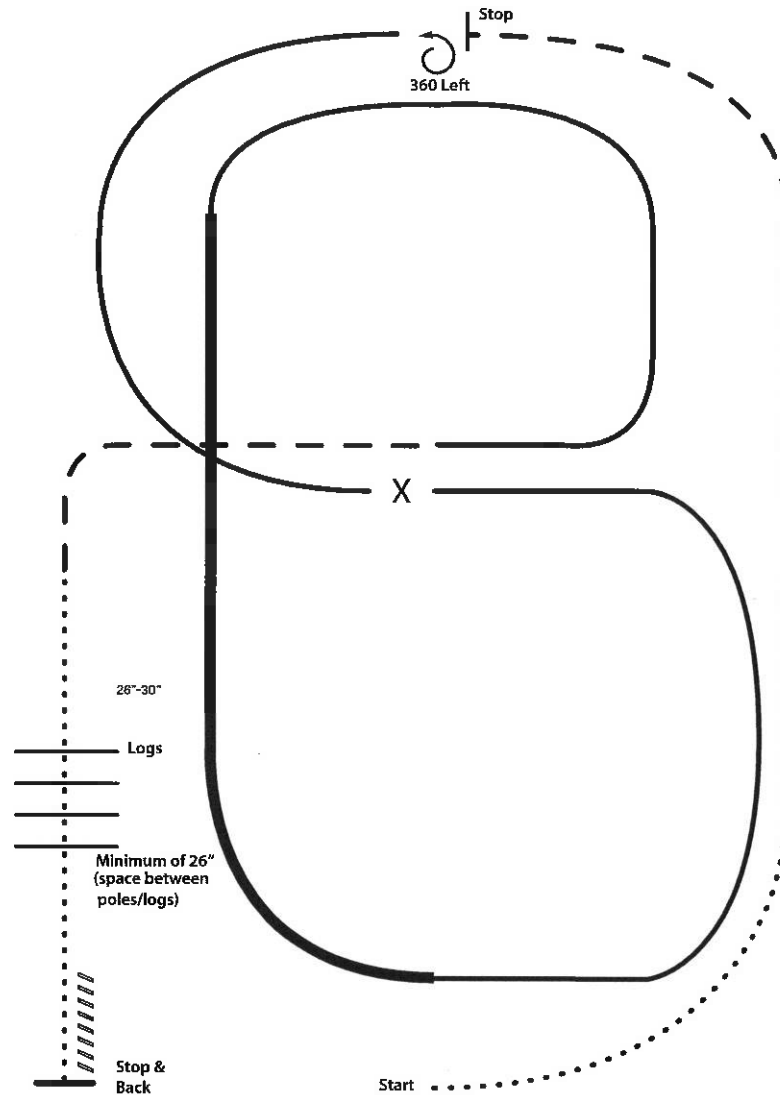
Pattern Provided by:



# Houston Livestock Show

## Ranch Riding (All Classes)

### Show Date: March 14 - 15



- X Lead Change
- Walk
- - - Trot
- - - Ext Trot
- Lope
- Ext Lope
- //// Back

1. Walk
2. Trot
3. Extend the trot, at the top of the arena ,stop
4. 360 degree turn to the left
5. Left lead 1/2 circle, lope to the center
6. Change leads (simple or flying)
7. Right lead 1/2 circle
8. Extended lope up the long side of the arena (right lead)
9. Collect back to a lope around the top of the arena and back to center
10. Break down to an extended trot
11. Walk over logs
12. Stop and back

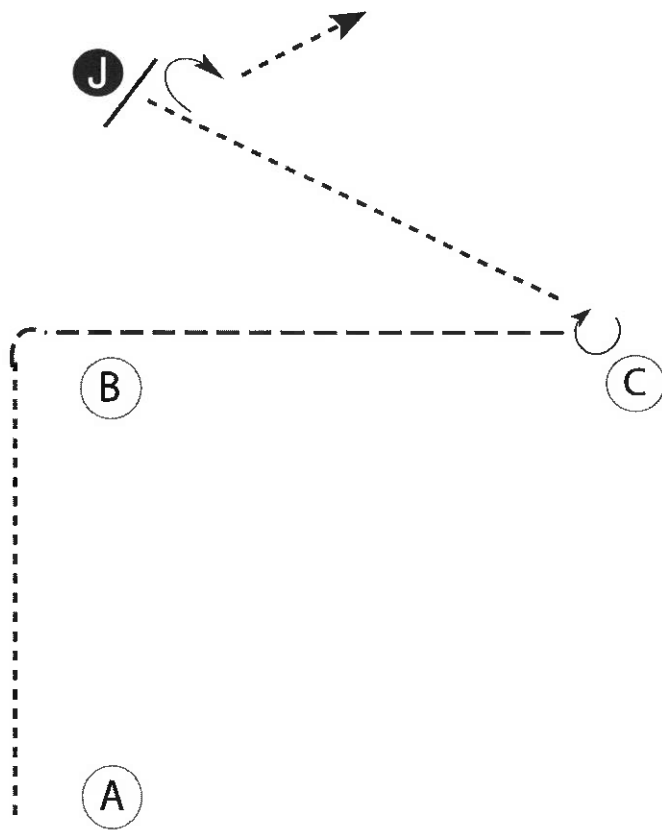
# Houston Livestock Show

Showmanship (All Novice)

Show Date: March 14 - 15

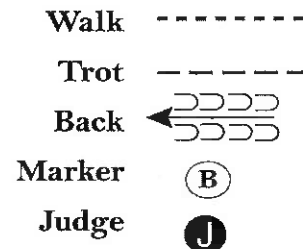
w w w . H o r s e S h o w P a t t e r n s . c o m

w w w . H o r s e S h o w P a t t e r n s . c o m



Be ready at A.

1. Walk to B.
2. Trot to C.
3. Stop at C.
4. 5/8 turn at C.
5. Walk to judge and set up for inspection.
6. When dismissed 1/4 turn and walk off.



[S/1-20]

Pattern Provided by:

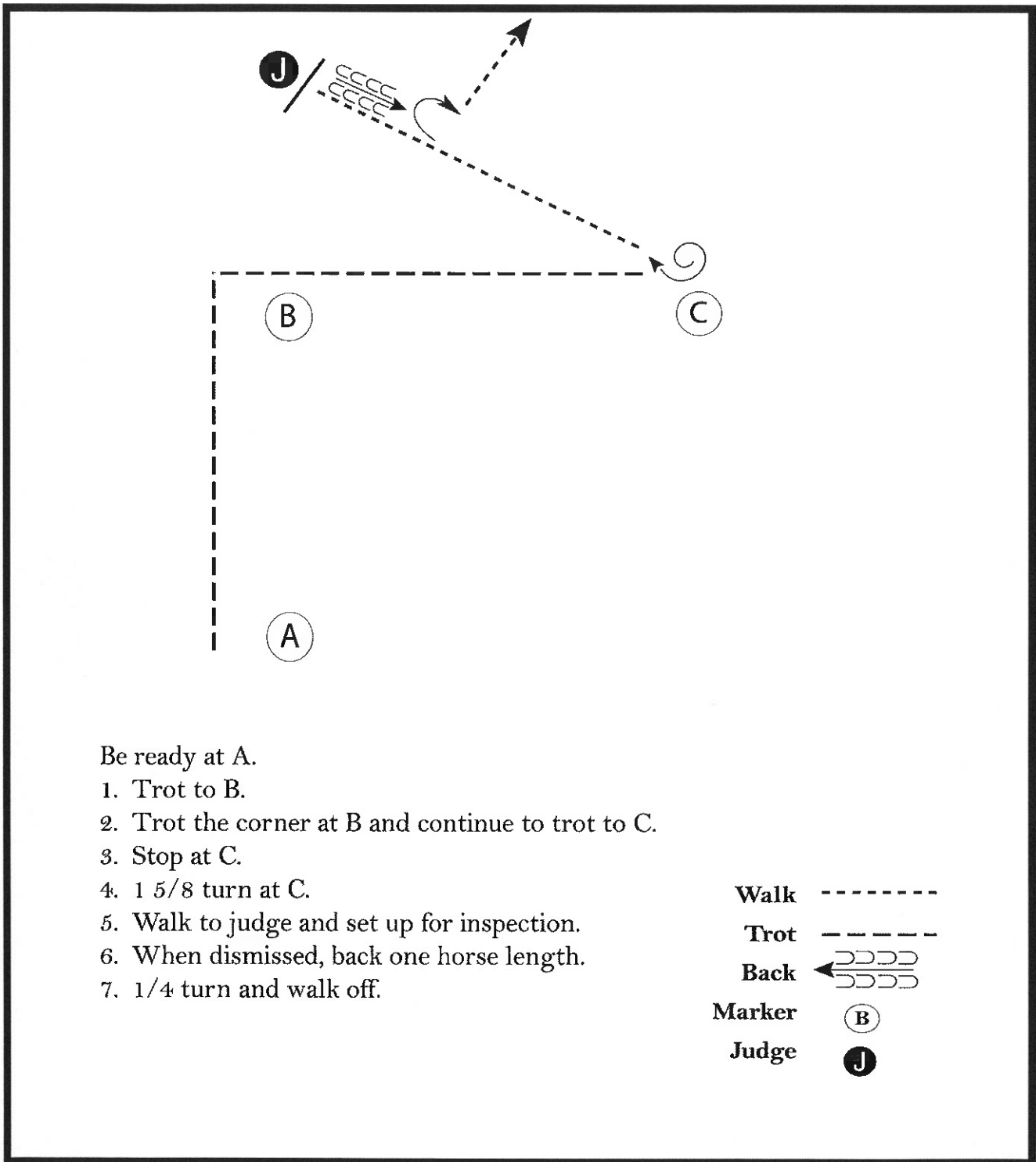
# Houston Livestock Show

Showmanship (Youth-Amateur-Walk-Trot "Walk Only")

Show Date: March 14 - 15

w w w . H o r s e S h o w P a t t e r n s . c o m

w w w . H o r s e S h o w P a t t e r n s . c o m



[S/2-20]

Pattern Provided by:

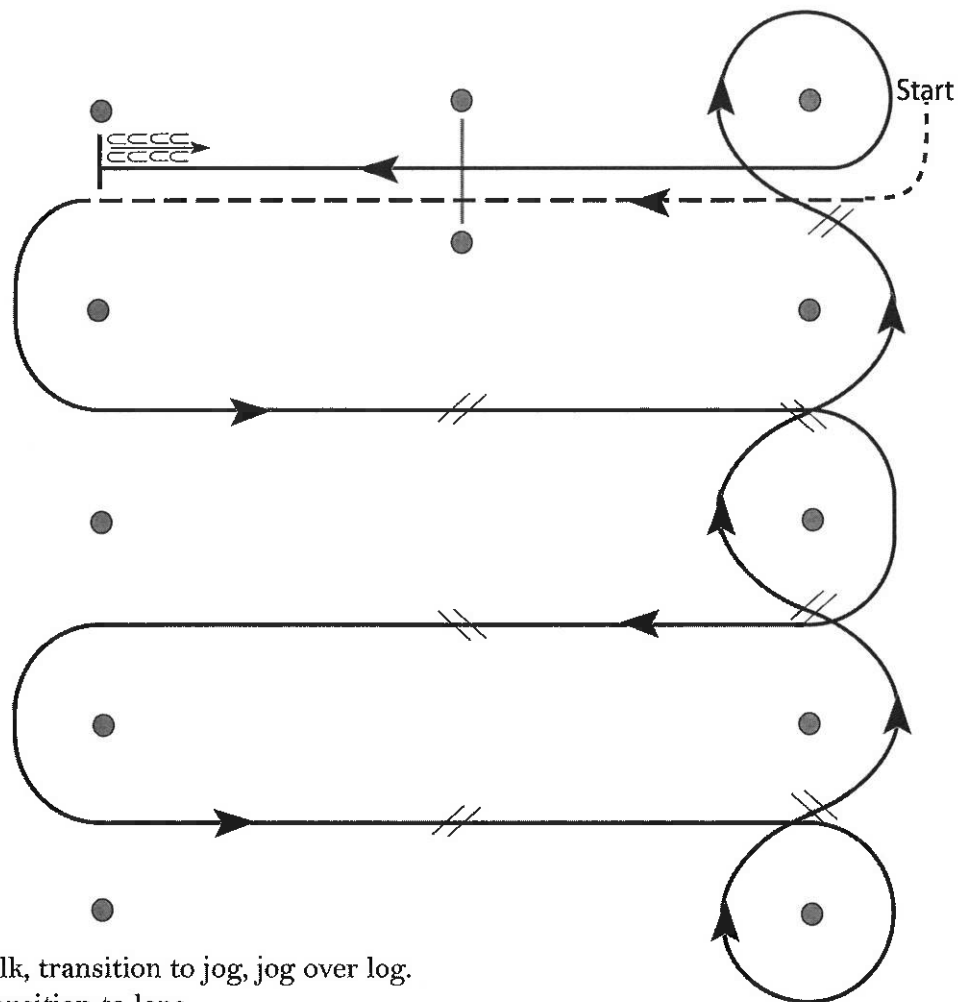
# Houston Livestock Show

## Western Riding (Youth-Amateur- Open)

Show Date: March 14 - 15

w w w . H o r s e S h o w P a t t e r n s . c o m

w w w . H o r s e S h o w P a t t e r n s . c o m



1. Walk, transition to jog, jog over log.
2. Transition to lope.
3. First crossing change.
4. Second crossing change.
5. Third crossing change.
6. Circle and first line change.
7. Second line change.
8. Third line change.
9. Fourth line change and circle.
10. Lope log.
11. Lope, stop and back.

[WR/OP-2]

Pattern Provided by:

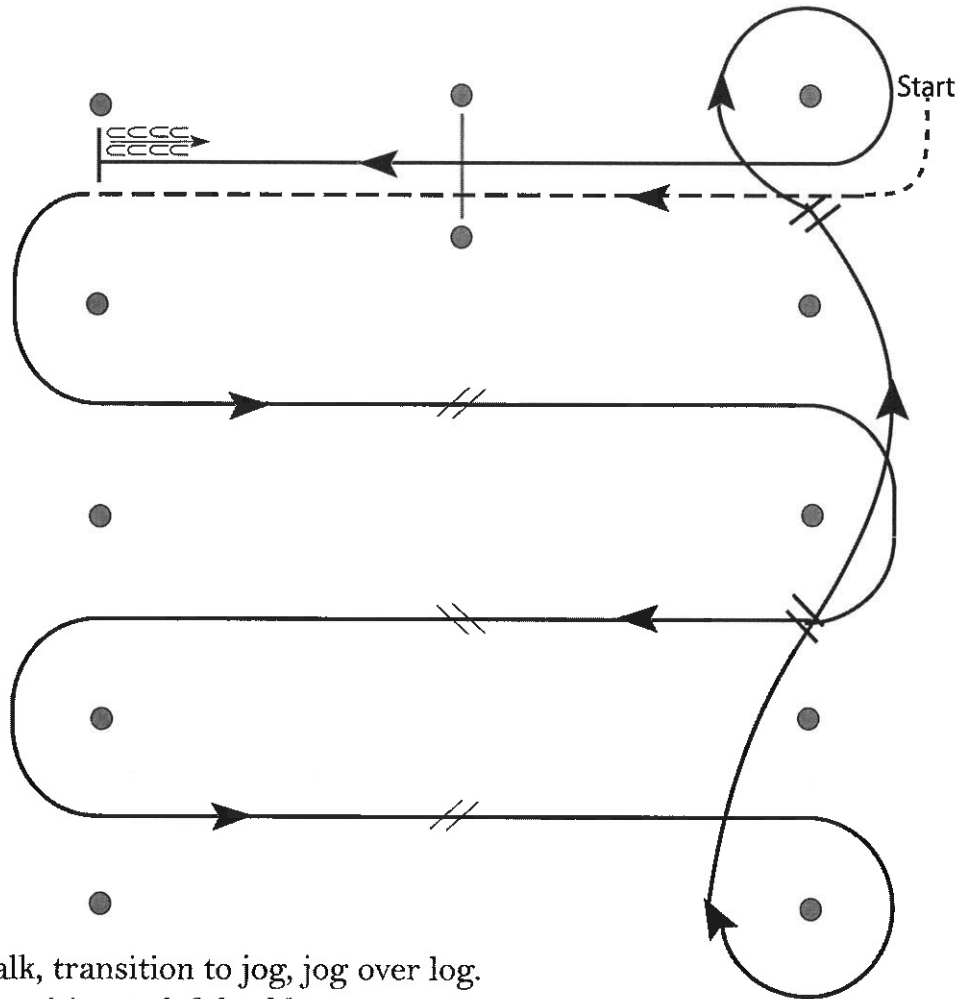
# Houston Livestock Show

Western Riding (Green)

Show Date: March 14 - 15

w w w . H o r s e S h o w P a t t e r n s . c o m

w w w . H o r s e S h o w P a t t e r n s . c o m



1. Walk, transition to jog, jog over log.
2. Transition to left lead lope.
3. First crossing change.
4. Second crossing change.
5. Third crossing change.
6. Circle and first line change.
7. Second line change and circle.
8. Lope log.
9. Stop and back.

[WR/GP-2]

Pattern Provided by:

# Houston Livestock Show

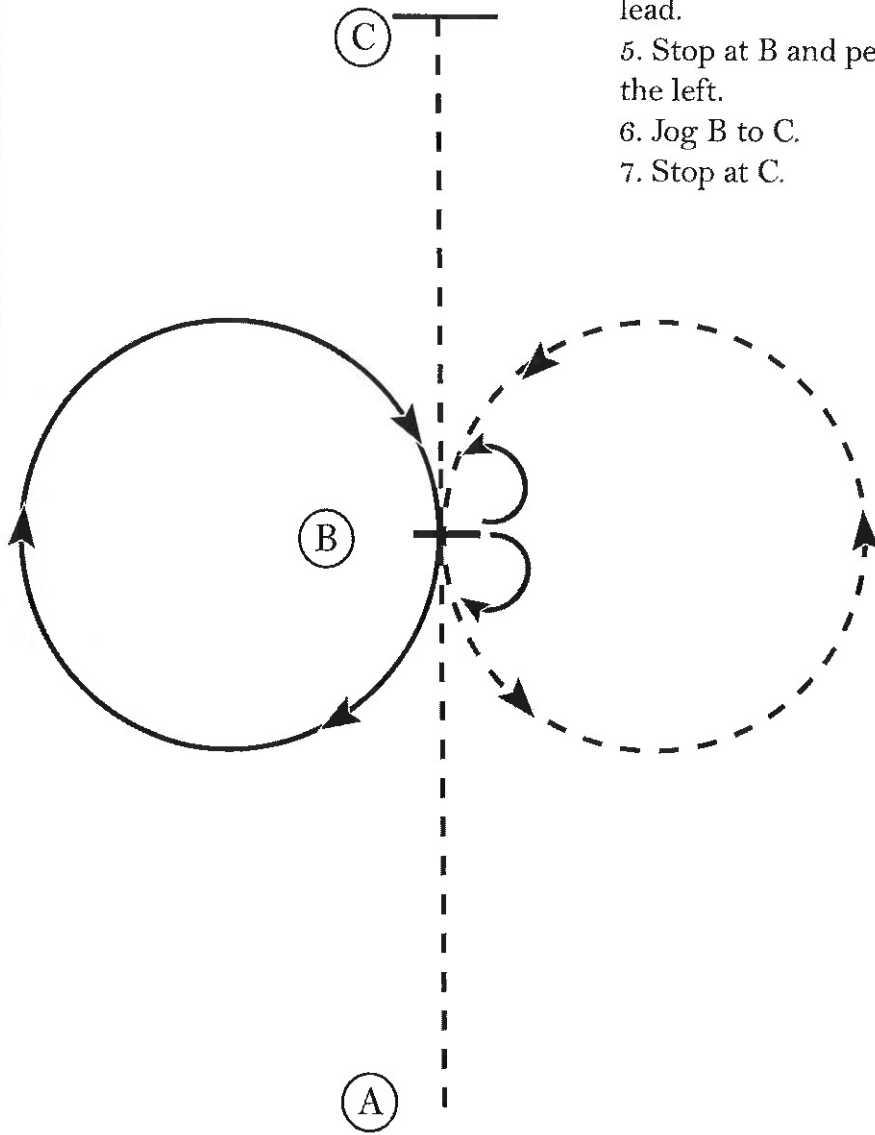
## Western Horsemanship (All Novice)

Show Date: March 14 - 15

w w w . H o r s e S h o w P a t t e r n s . c o m

w w w . H o r s e S h o w P a t t e r n s . c o m

1. Jog A to B.
2. Stop at B and perform a 180 degree turn to the right on the hindquarters.
3. Jog a circle to the left.
4. At B lope a circle to the right on the right lead.
5. Stop at B and perform a 180 degree turn to the left.
6. Jog B to C.
7. Stop at C.



Walk	.....
Jog	- - - - -
Extended Jog	— — — — —
Lope	—————
Leg Yield	
Lead Change	↖ ↗ ↘ ↙
Back	← ← ← ← ←
Marker	⊙ B
Sidepass	→ ← → ←

[WH/1-10]

Pattern Provided by:

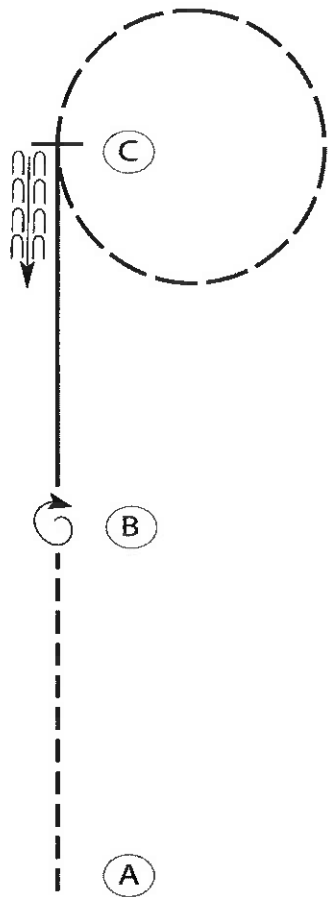
# Houston Livestock Show

## Western Horsemanship (Youth-Amateur)

Show Date: March 14 - 15

w w w . H o r s e S h o w P a t t e r n s . c o m

w w w . H o r s e S h o w P a t t e r n s . c o m



Be ready at A.

1. Jog from A to B.
2. Stop at B and perform a 360 degree turn to the right.
3. Lope on the right lead to C.
4. Even with C, break to an extended jog and circle to the right.
5. Stop at C and back one horse length

Retire to the rail or line up at a jog.

Walk	-----
Jog	-----
Extended Jog	-----
Lope	-----
Leg Yield	
Lead Change	↘
Back	← S S S S S
Marker	⊙ B
Sidepass	←-----←

[WH/2-20]

Pattern Provided by:

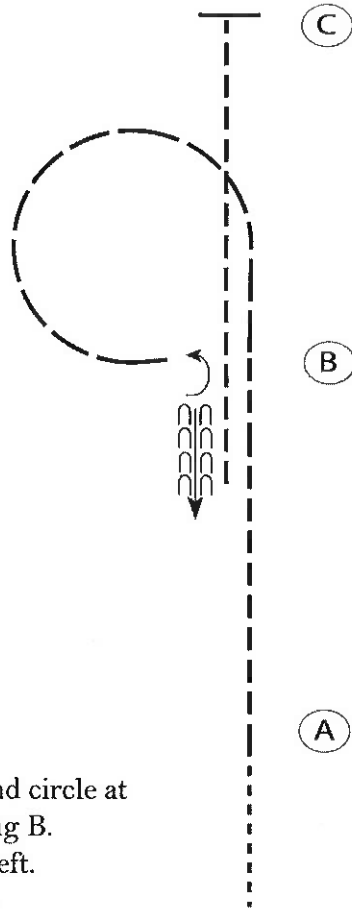
# Houston Livestock Show

## Western Horsemanship (All Walk-Trot)

Show Date: March 14 - 15

www.HorseShowPatterns.com

www.HorseShowPatterns.com



Begin before A at a walk.

1. Jog from A to B.
2. At B, extend the jog and circle at B as shown. Stop facing B.
3. Turn 1/4 turn to the left.
4. Back one horse length.
5. Jog to C. Stop at C.

Follow the instructions of your ring steward.

Walk	-----
Jog	-----
Extended Jog	-----
Lope	-----
Leg Yield	
Lead Change	—/—
Back	← 3 3 3 3 3
Marker	(B)
Sidepass	←-----→

[WH/WT-17]

Pattern Provided by: