

**HOUSTON LIVESTOCK SHOW AND RODEO™**

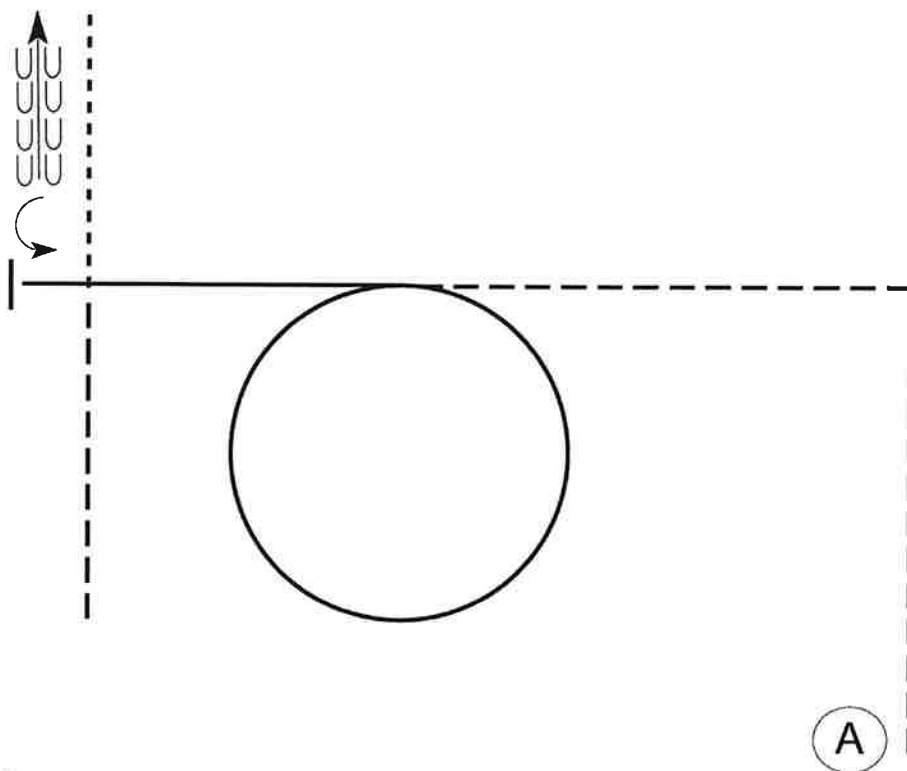
# **YOUTH HORSE SHOW**

## **PATTERN BOOK**

**March 16 – 17, 2023**

# HOUSTON LIVESTOCK SHOW AND RODEO™ YOUTH HORSE SHOW HORSEMANSHIP

(ALL BREED 13 & UNDER, AQHA 13 & UNDER, AQHA NOVICE)



Be ready at A.

1. Perform a jog from A and a square corner toward center of pattern.
2. Lope a left lead circle.
3. Close the circle and continue loping on the left lead in a straight line.
4. Stop and perform a 1/4 turn to the left.
5. Back approximately one horse length.
6. Walk until you cross your line.
7. Exit arena at a jog.

Walk	-----
Jog	-----
Extended Jog	-----
Lope	—————
Lead Change	
Back	
Marker	Ⓚ

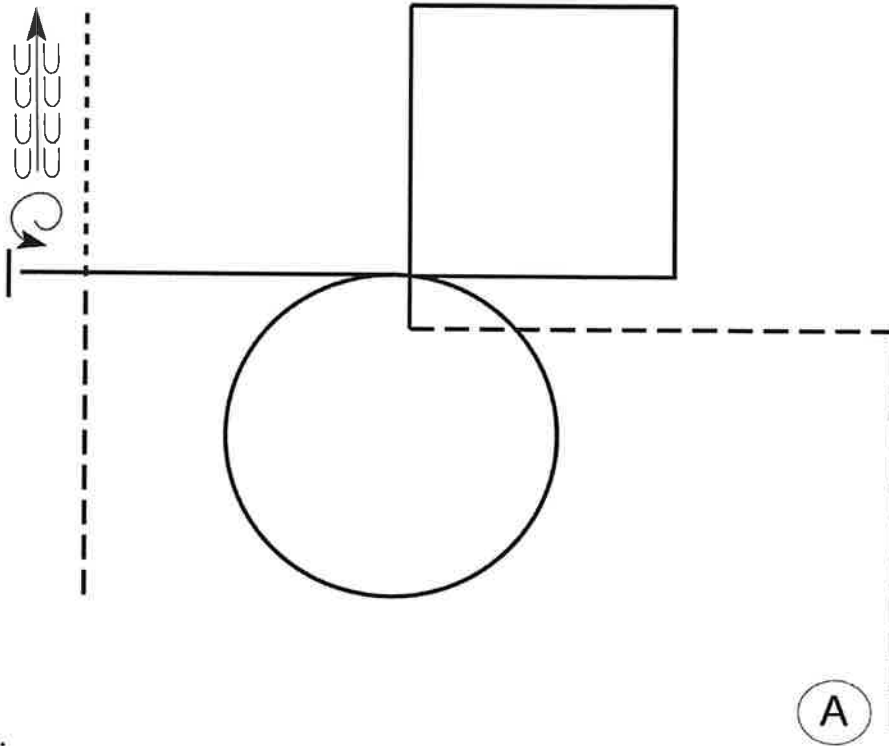
PATTERNS PROVIDED BY:  
**Michael Ochetto**

# HOUSTON LIVESTOCK SHOW AND RODEO™

## YOUTH HORSE SHOW

### WESTERN HORSEMANSHIP

(ALL BREED 14-18, AQHA 14-18, GRADE 18 & UNDER)



Be ready at A.

1. Perform a jog from A and a square corner toward center of pattern.
2. Make a square corner right at center.
3. Lope a right lead square.
4. Change leads at center and lope a left lead circle.
5. Close the circle and continue loping on the left lead in a straight line.
6. Stop and perform a 1 1/4 turn to the left.
7. Back 5 steps.
8. Walk until you cross your line.
9. Exit arena at a jog.

Walk	-----
Jog	- - - - -
Extended Jog	— — — —
Lope	—————
Lead Change	
Back	
Marker	(B)

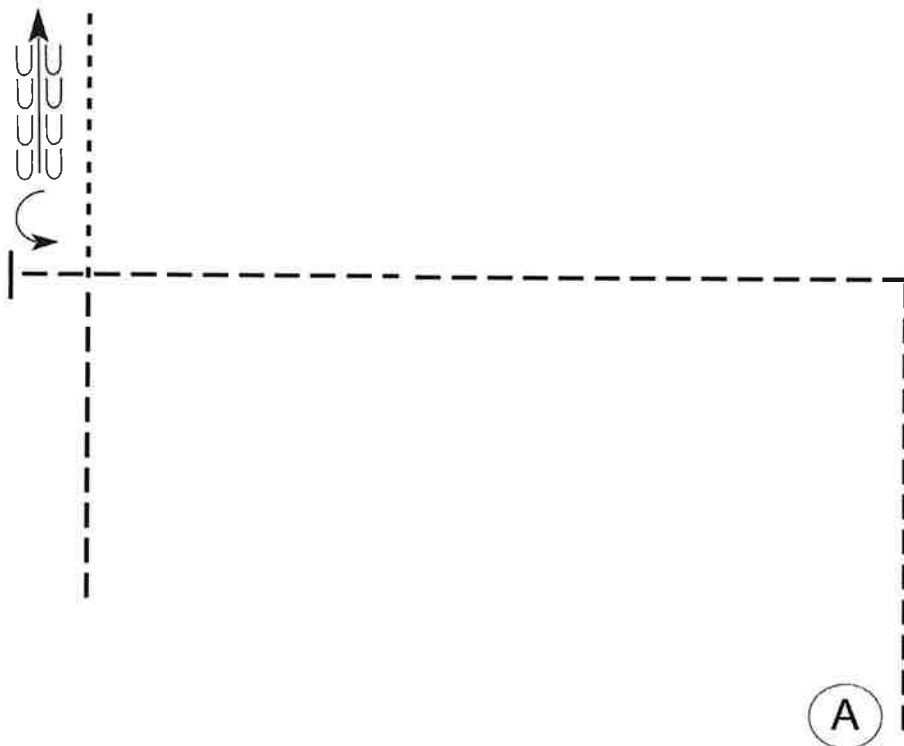
PATTERNS PROVIDED BY:  
**Michael Ochetto**

# HOUSTON LIVESTOCK SHOW AND RODEO™

## YOUTH HORSE SHOW

### WESTERN HORSEMANSHIP

(WALK-TROT 5-10 YRS)



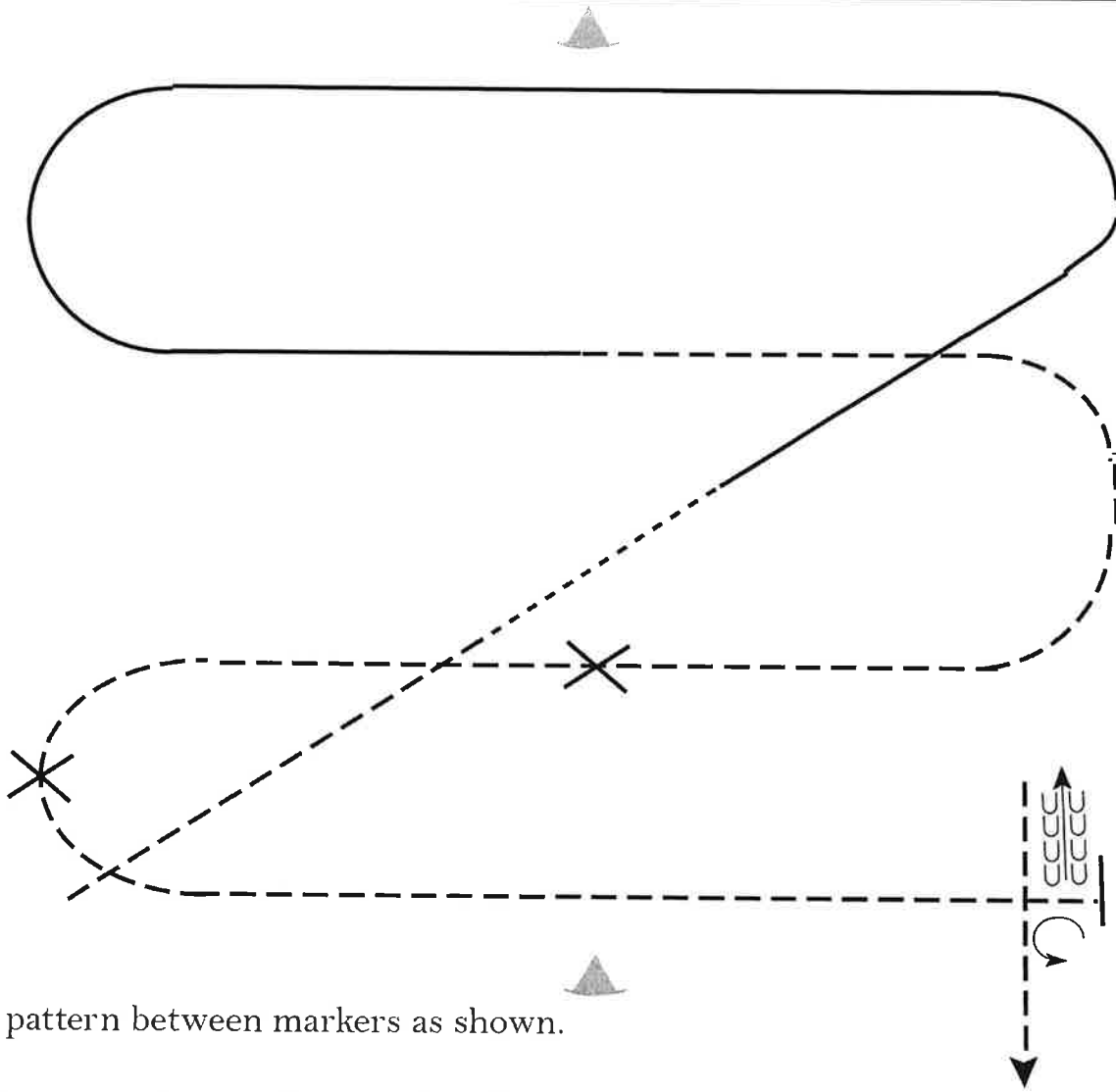
Be ready at A.

1. Perform a jog from A and a square corner toward center of pattern.
2. Continue the jog in a straight line.
3. Stop and perform a 1/4 turn to the left.
4. Back approximately one horse length
5. Walk until you cross your line.
6. Exit arena at a jog.

Walk	-----
Jog	-----
Extended Jog	-----
Lope	—————
Lead Change	
Back	
Marker	(B)

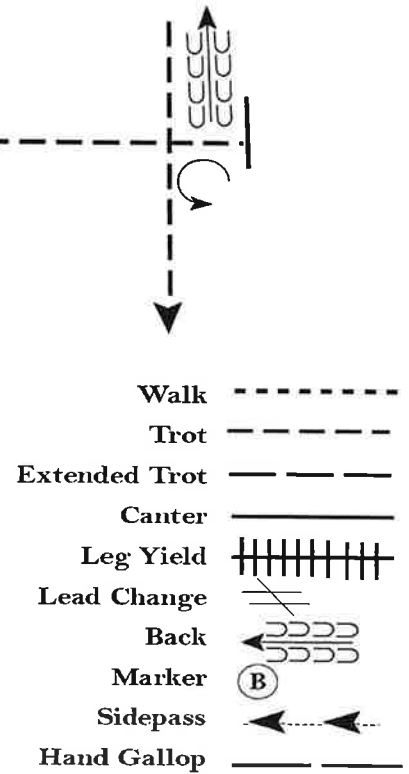
PATTERNS PROVIDED BY:  
**Michael Ochetto**

# HOUSTON LIVESTOCK SHOW AND RODEO™ YOUTH HORSE SHOW HUNT SEAT EQUITATION (AQHA 13 & UNDER, ALL BREED 13 & UNDER, AQHA NOVICE)



Keep pattern between markers as shown.

1. Sitting trot then walk several strides.
2. Canter left lead around to center of pattern.
3. Posting trot on the left diagonal then sitting trot (at X).
4. Posting trot on the right diagonal (at X).
5. Halt and perform a 3/4 turn on the forehand left.
6. Back approximately 2 horse lengths then exit at a trot.



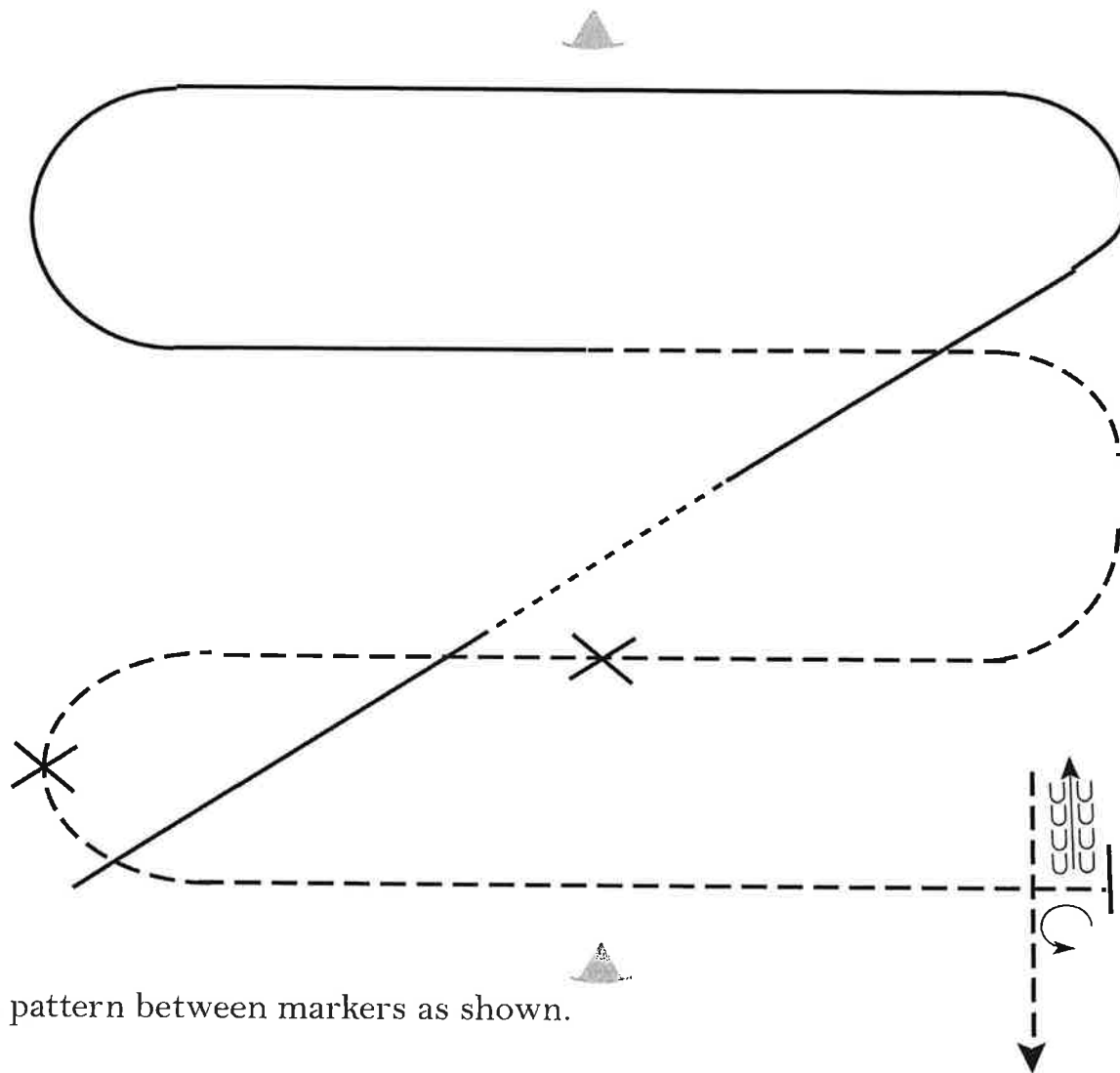
PATTERNS PROVIDED BY:  
**Michael Ochetto**

# HOUSTON LIVESTOCK SHOW AND RODEO™

## YOUTH HORSE SHOW

### HUNT SEAT EQUITATION

(AQHA 14-18, ALL BREED 14-18, GRADE 18 & UNDER)



Keep pattern between markers as shown.

1. Canter right lead then walk several strides.
2. Canter left lead around to center of pattern.
3. Posting trot on the left diagonal then sitting trot (at X).
4. Posting trot on the right diagonal (at X).
5. Halt and perform a 3/4 turn on the forehand left.
6. Back approximately 2 horse lengths then exit at a trot.

Walk	-----
Trot	- - - - -
Extended Trot	=====
Canter	—————
Leg Yield	
Lead Change	↘ ↙
Back	←←←←←
Marker	Ⓚ
Sidepass	←←←←←
Hand Gallop	-----

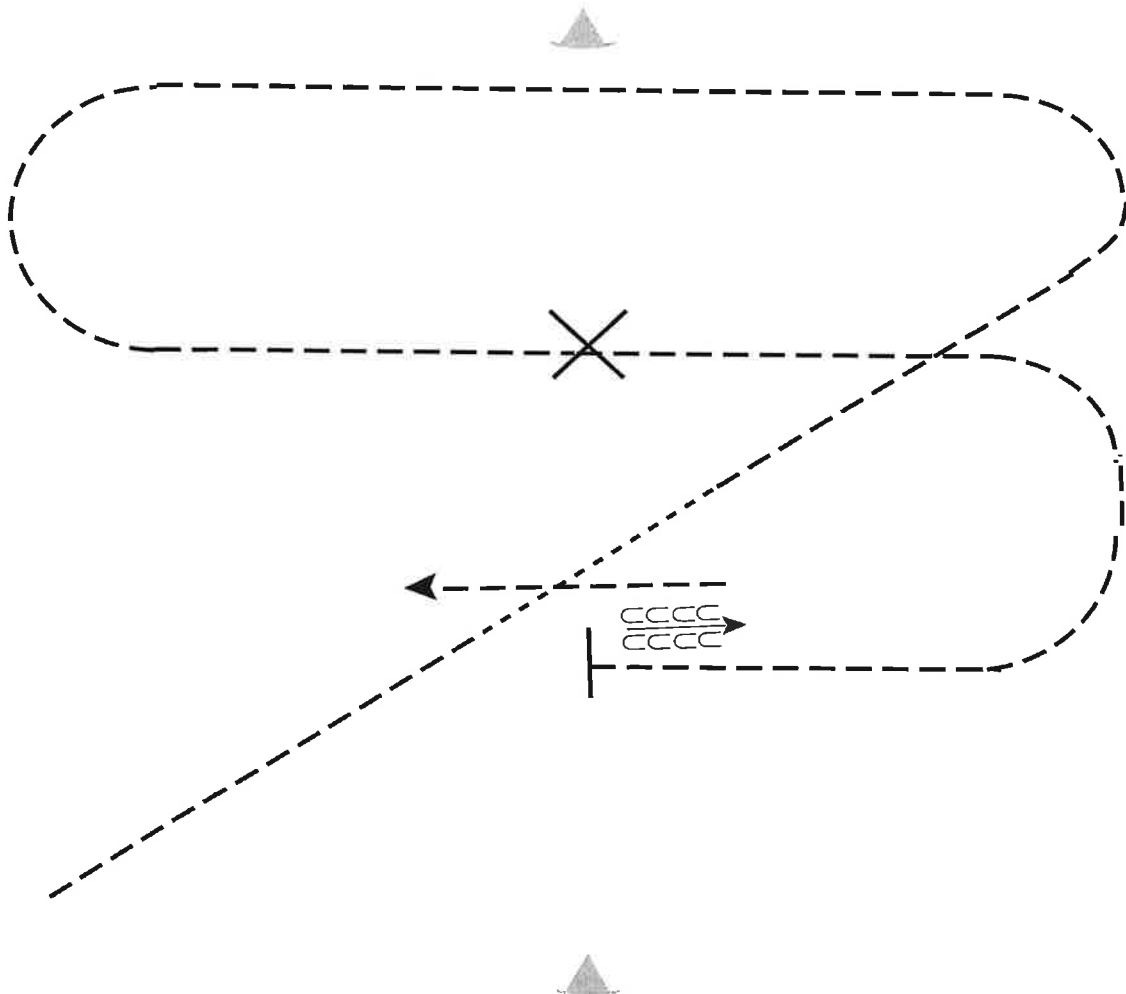
PATTERNS PROVIDED BY:  
**Michael Ochetto**

# HOUSTON LIVESTOCK SHOW AND RODEO™

## YOUTH HORSE SHOW

### HUNT SEAT EQUITATION

(WALK-TROT 5-10 YRS)



Keep pattern between markers as shown.

1. Sitting trot then walk several strides.
2. Posting trot right diagonal around to center of pattern (X).
3. Change diagonals around to center.
4. Halt and back approximately 2 horse lengths then exit at a trot.

Walk	-----
Trot	- - - - -
Extended Trot	— — — — —
Canter	—————
Leg Yield	
Lead Change	— / —
Back	← ← ← ← ←
Marker	(B)
Sidepass	← - - - - ←
Hand Gallop	— — — — —

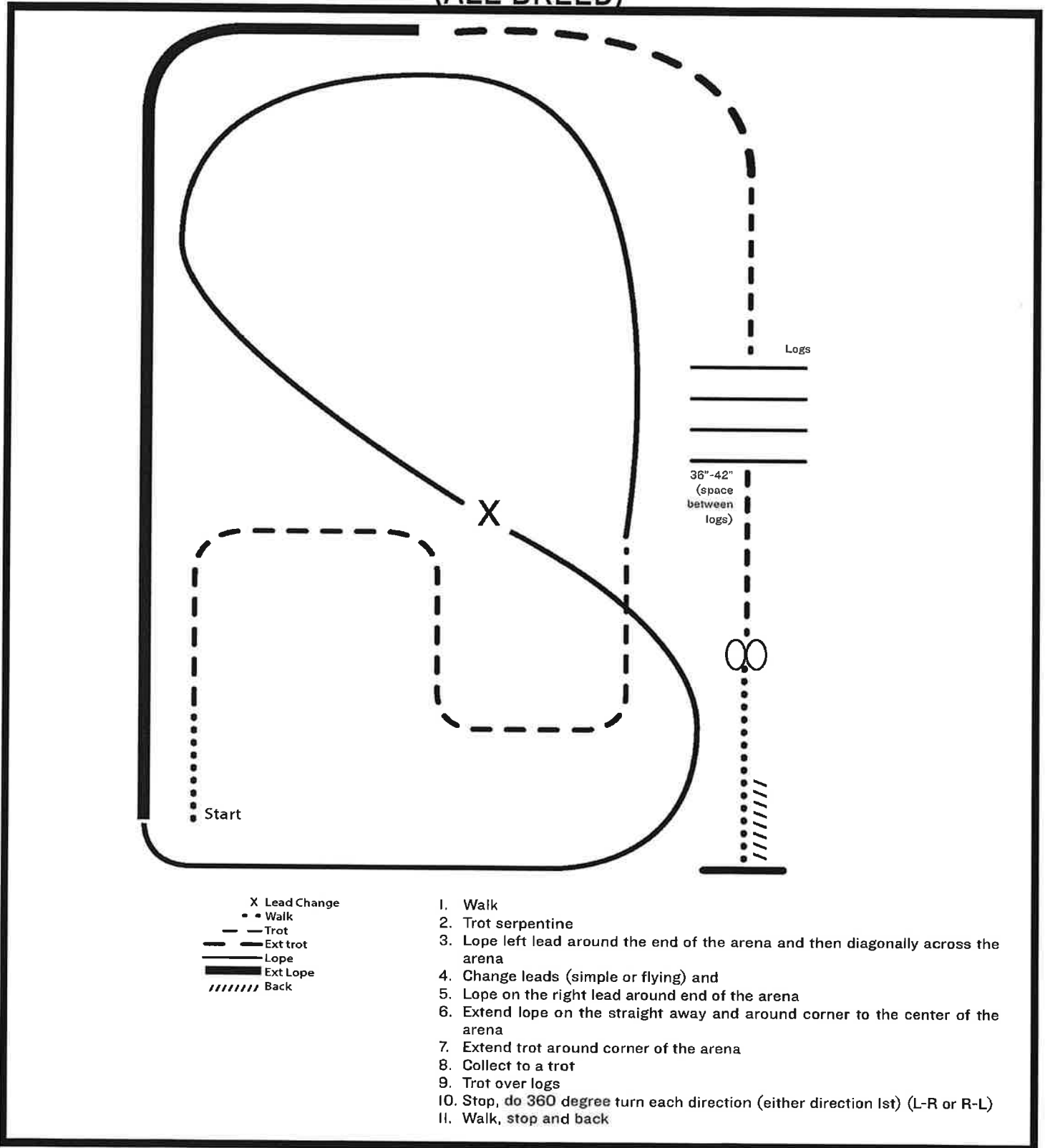
PATTERNS PROVIDED BY:  
**Michael Ochetto**

# HOUSTON LIVESTOCK SHOW AND RODEO™

## YOUTH HORSE SHOW

### RANCH RIDING

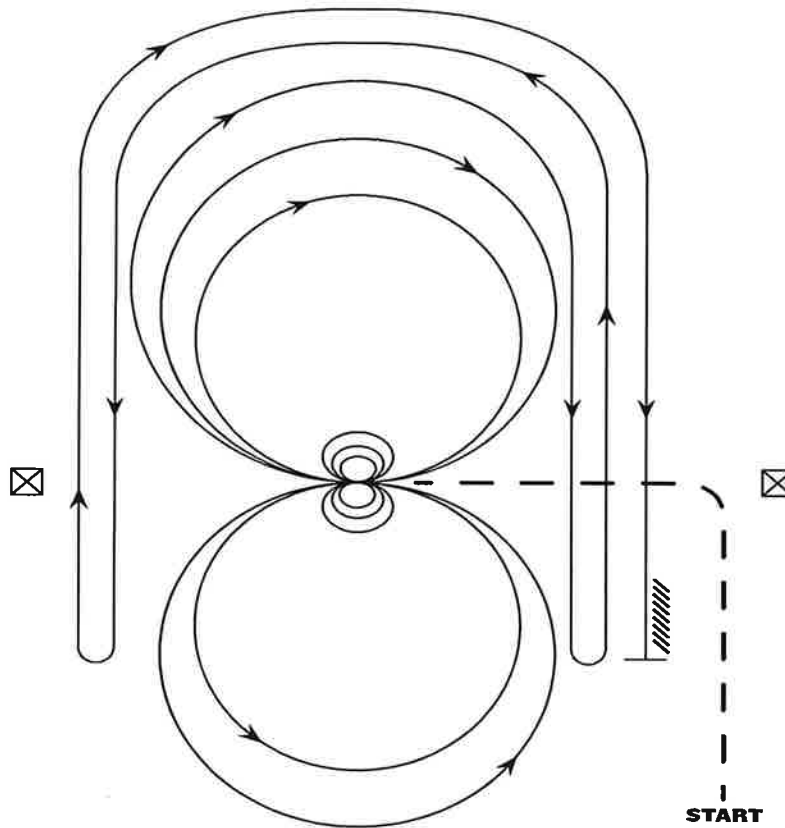
#### (ALL BREED)



PATTERNS PROVIDED BY:  
**Michael Ochetto**



# HOUSTON LIVESTOCK SHOW AND RODEO™ YOUTH HORSE SHOW RANCH REINING - ALL BREED



**Mandatory Markers along Fence or Wall:** The judge shall indicate with markers on arena fence or wall the center of the pattern.

Ride pattern as follows: Trot to center of arena and stop.

1. Complete 3 spins in one direction. Hesitate.
2. Complete 3 spins in the opposite direction. Hesitate.
3. Beginning on right lead, complete two large fast circles to the right. Change leads at center of arena.
4. Complete two large fast circles to the left. Change leads at center of arena.
5. Begin a large circle to the right but do not close this circle. Run down the right side of the arena past the center marker and do a left roll back at least 20 feet from the wall or fence, no hesitation.
6. Continue back around the previous circle but do not close this circle. Run down the left side of the arena past the center marker and do a right roll back at least 20 feet from the wall or fence, no hesitation.
7. Continue back around previous circle, but do not close this circle. Run down the right side of the arena past the center marker and do a sliding stop at least 20 feet from the wall or fence. Back up at least 10 feet. Hesitate to show completion of pattern.

PATTERNS PROVIDED BY:  
Michael Ochetto

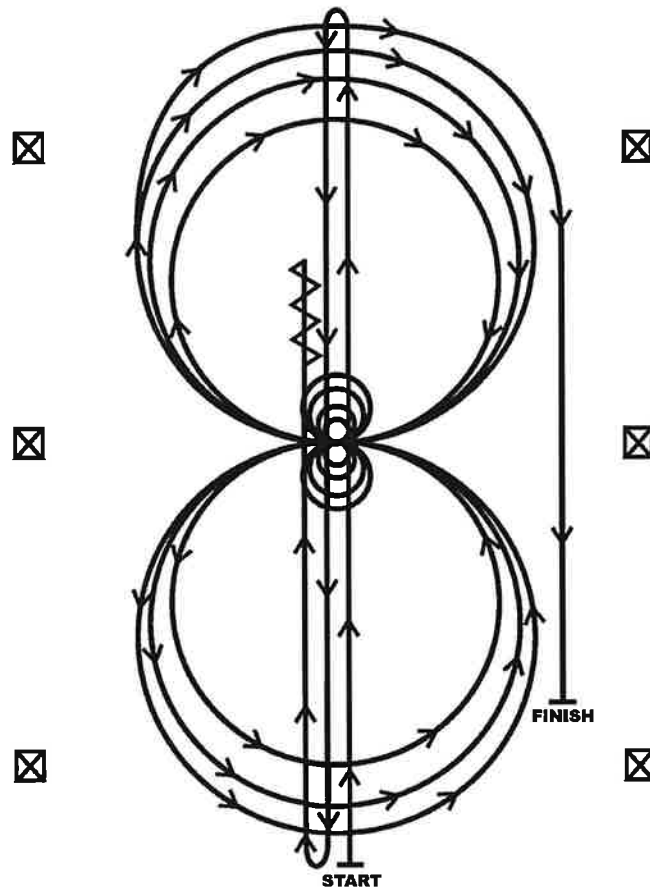
# HOUSTON LIVESTOCK SHOW AND RODEO™

## YOUTH HORSE SHOW

### REINING

(ALL BREED, GRADE, AND AQHA)

#### REINING PATTERN 7

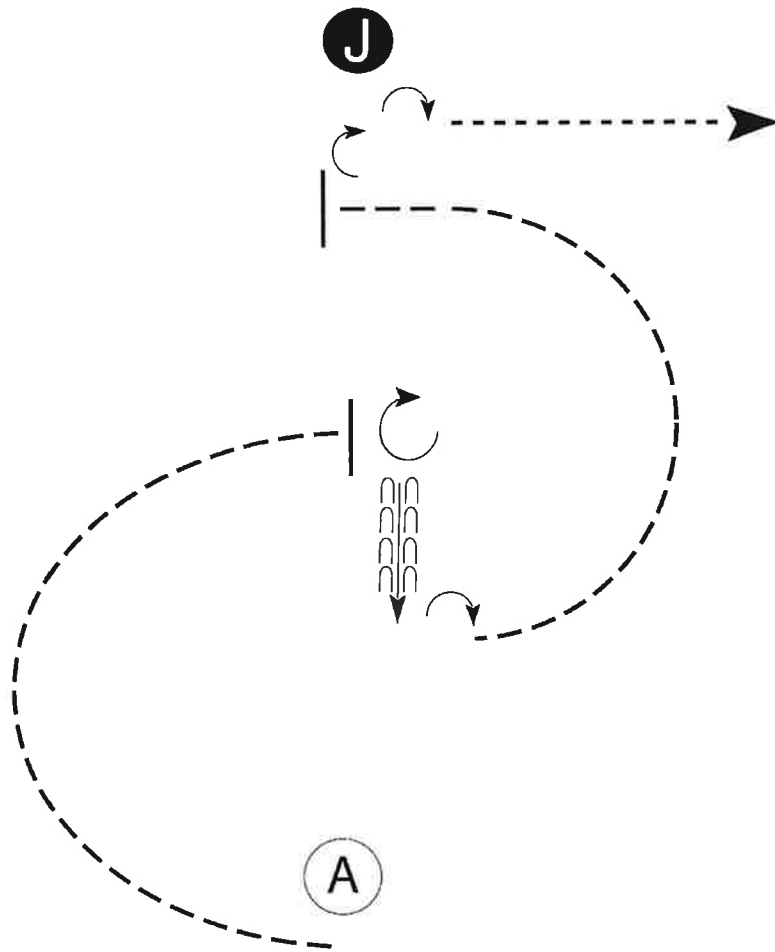


1. Run at speed to the far end of the arena past the end marker and do a left rollback—no hesitation.
2. Run to the opposite end of the arena past the end marker and do a right rollback—no hesitation.
3. Run past the center marker and do a sliding stop. Back up to the center of the arena or at least ten feet (three meters). Hesitate.
4. Complete four spins to the right. Hesitate.
5. Complete four and one-quarter spins to the left so that horse is facing left wall or fence. Hesitate.
6. Beginning on the right lead, complete three circles to the right: the first two circles large fast; the third circle small and slow. Change leads at the center of the arena.
7. Complete three circles to the left: the first two circles large fast; the third circle small and slow. Change leads at the center of the arena.
8. Begin a large circle to the right but do not close this circle. Run straight down the right side of the arena past the center marker and do a sliding stop at least twenty feet (six meters) from the wall or fence. Hesitate to demonstrate completion of the pattern.

PATTERNS PROVIDED BY:  
**Michael Ochetto**

# HOUSTON LIVESTOCK SHOW AND RODEO™ YOUTH HORSE SHOW SHOWMANSHIP

(ALL BREED 13 & UNDER, AQHA 13 & UNDER, AQHA NOVICE YOUTH)



Be ready at A.

1. Trot a half circle to center of pattern.
2. Stop and perform a 3/4 turn.
3. Back one horse length.
4. Perform a 1/4 turn.
5. Trot a half circle.
6. Perform a 1/4 turn and set up for inspection.
7. When dismissed, perform a 1/4 turn.
8. Walk to exit.

Follow the instructions of your ring steward.

Walk	-----
Trot	—————
Back	← ——— ← ——— ← ———
Marker	Ⓟ
Judge	Ⓝ

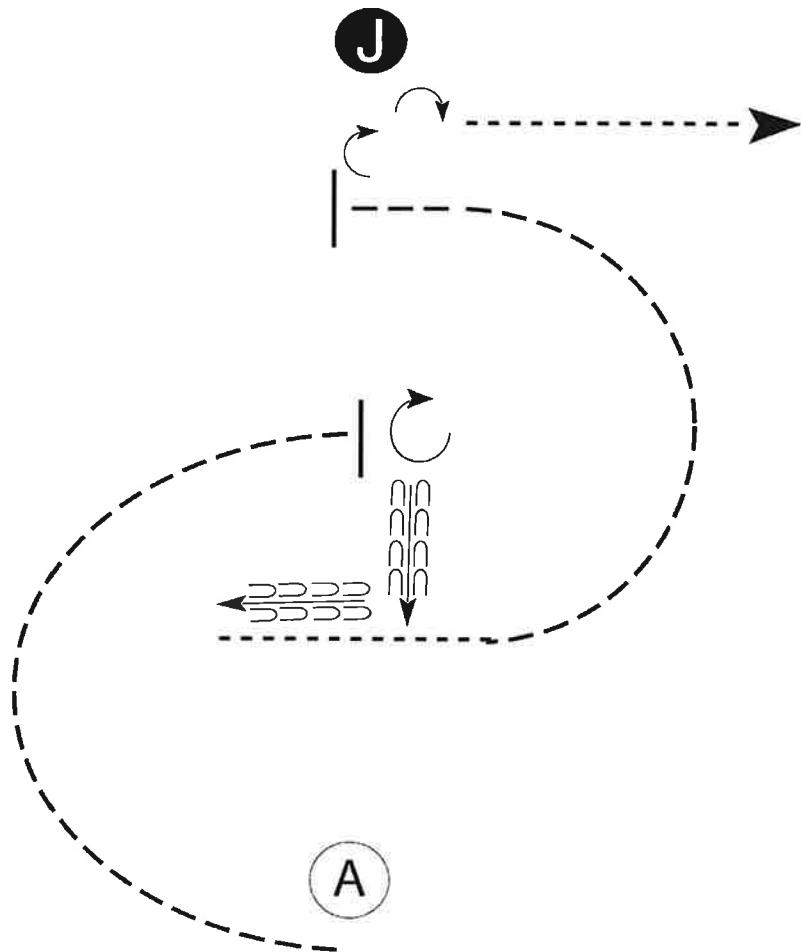
PATTERNS PROVIDED BY:  
**Michael Ochetto**

# HOUSTON LIVESTOCK SHOW AND RODEO™

## YOUTH HORSE SHOW

### SHOWMANSHIP

(AQHA 14-18, GRADE 18 & UNDER, ALL BREED 14-18)



Be ready at A.

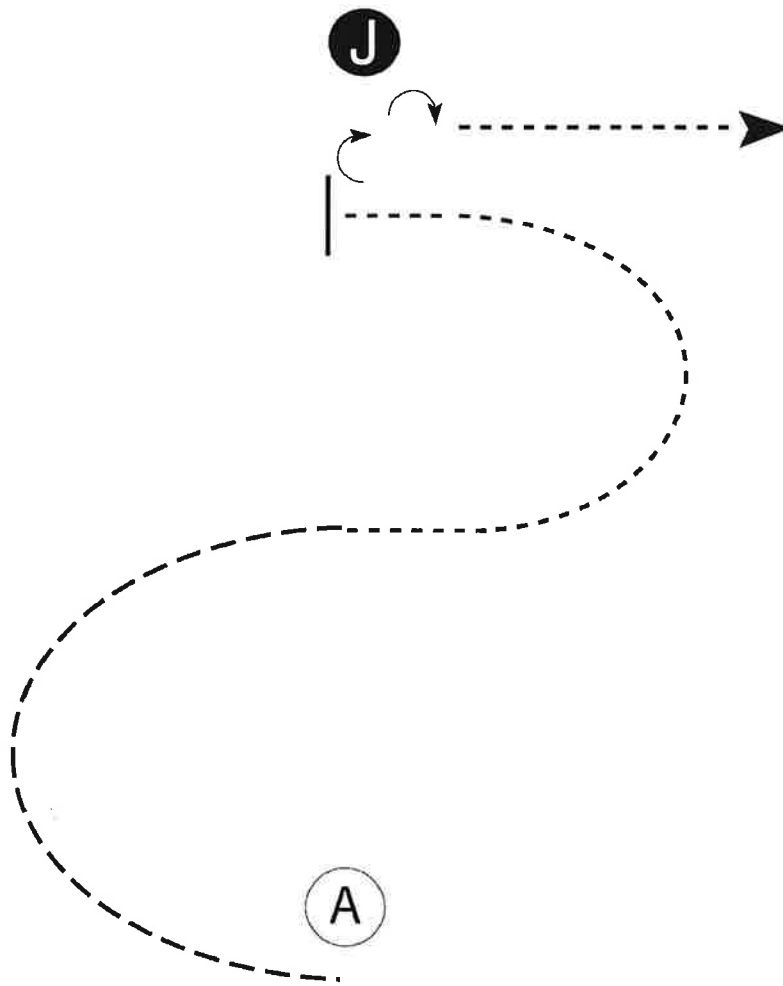
1. Trot a half circle to center of pattern.
2. Stop and perform a 3/4 turn.
3. Back a square corner.
4. Walk 2-3 horse lengths.
5. Trot a half circle.
6. Perform a 1/4 turn and set up for inspection.
7. When dismissed, perform a 1/4 turn.
8. Walk to exit.

Follow the instructions of your ring steward.

Walk	-----
Trot	- - - - -
Back	← ⊞ ⊞ ⊞ ⊞
Marker	⊙ B
Judge	⊙ J

PATTERNS PROVIDED BY:  
**Michael Ochetto**


# HOUSTON LIVESTOCK SHOW AND RODEO YOUTH HORSE SHOW SHOWMANSHIP (WALK-TROT 5-10 YRS)



Be ready at A.

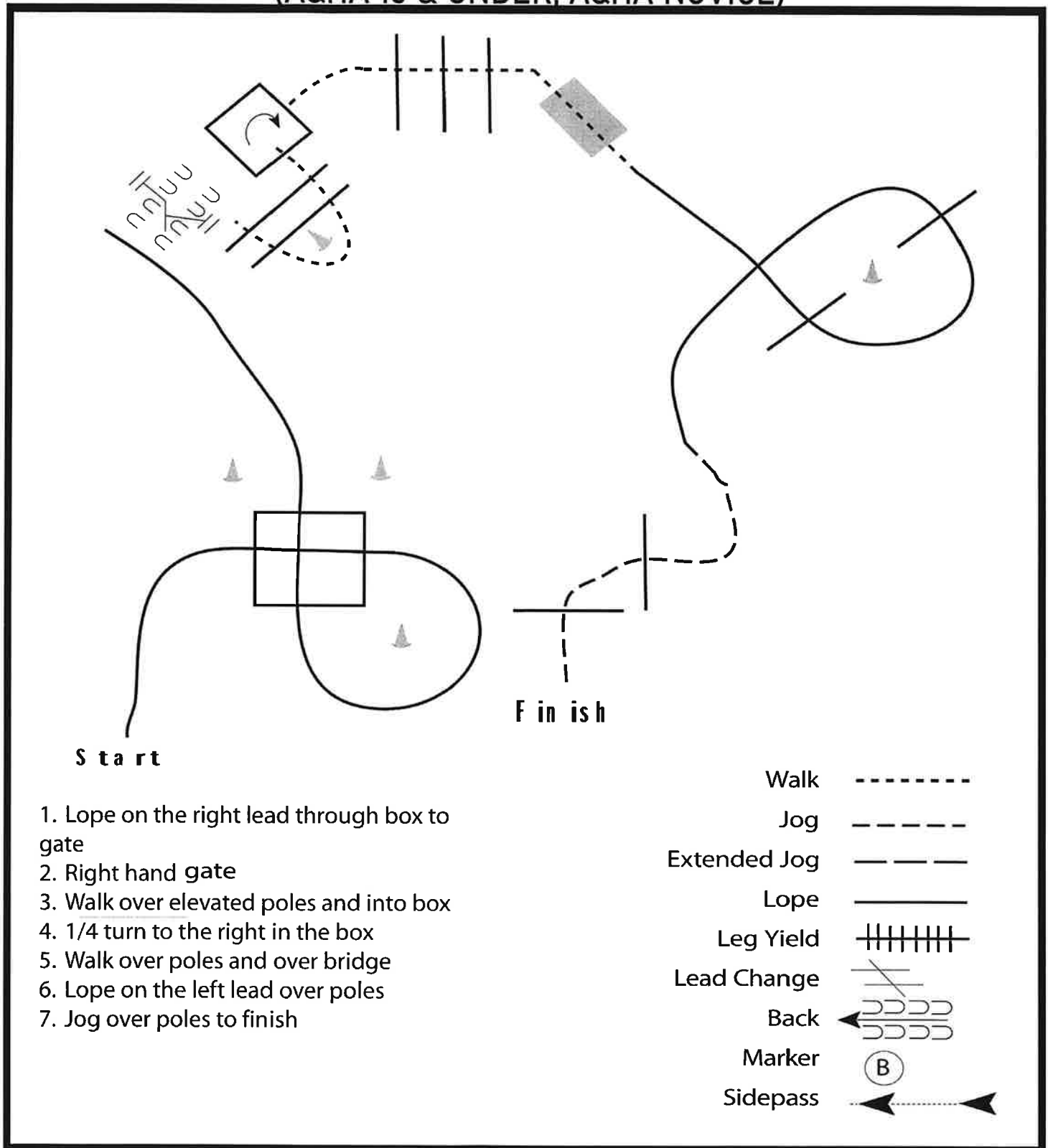
1. Trot a half circle to center of pattern.
2. Break to a walk and walk a half circle.
3. Stop, perform a 1/4 turn, and set up for inspection.
4. When dismissed, perform a 1/4 turn.
5. Walk to exit.

Follow the instructions of your ring steward.

Walk	-----
Trot	-----
Back	← 
Marker	ⓑ
Judge	ⓐ

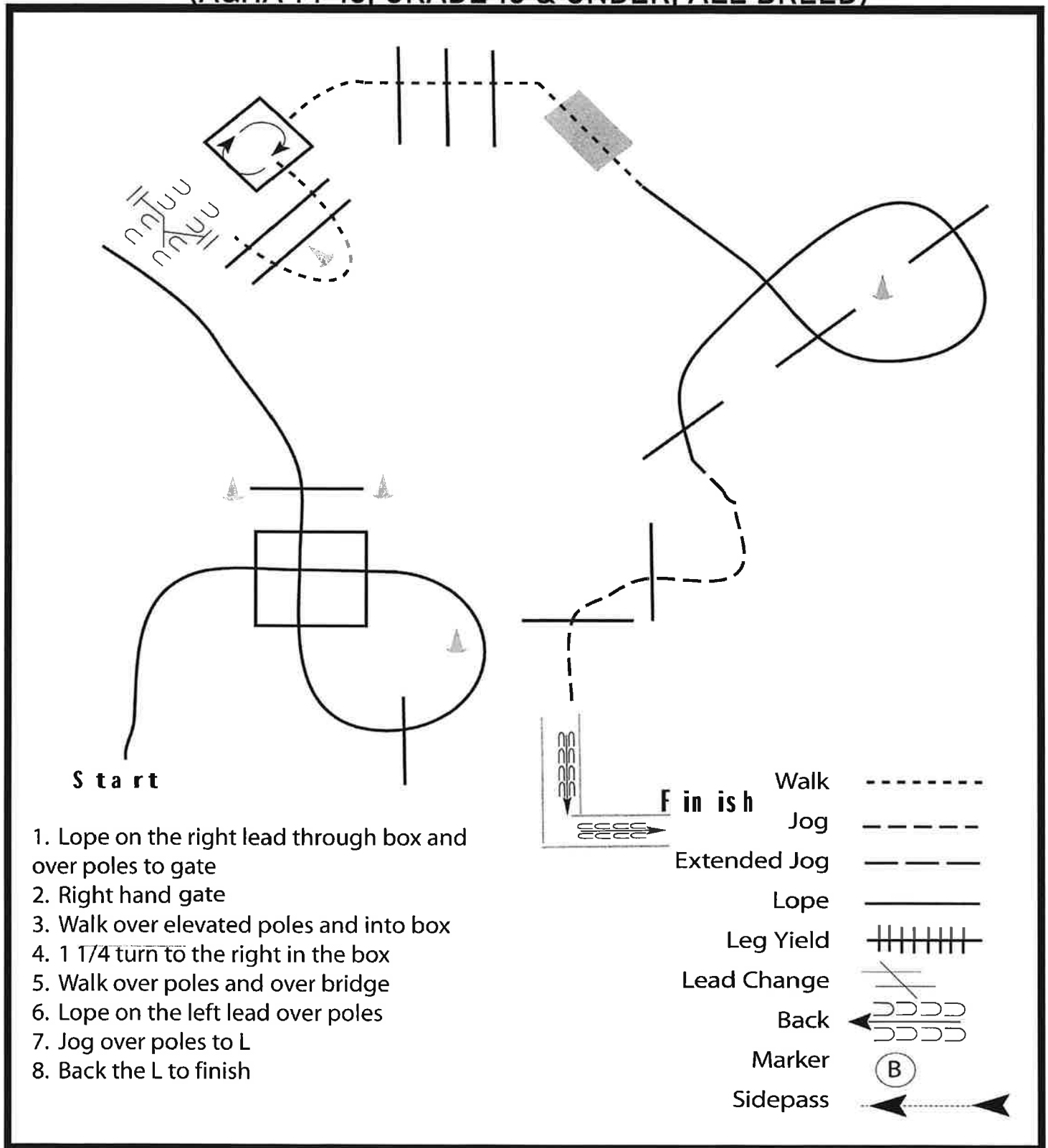
PATTERNS PROVIDED BY:  
**Michael Ochetto**

# HOUSTON LIVESTOCK SHOW AND RODEO™ YOUTH HORSE SHOW TRAIL (AQHA 13 & UNDER, AQHA NOVICE)



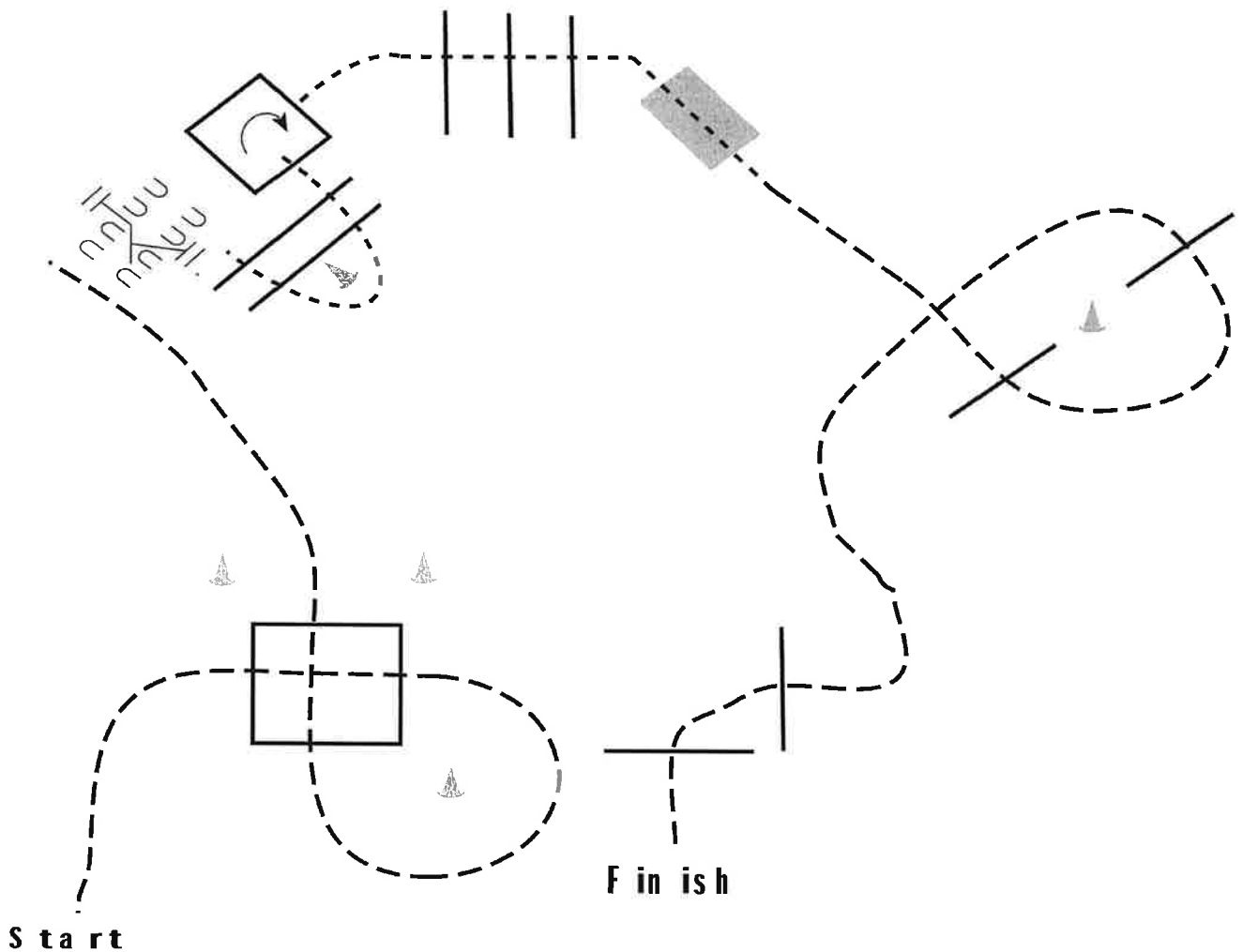
PATTERNS PROVIDED BY:  
**Michael Ochetto**

# HOUSTON LIVESTOCK SHOW AND RODEO™ YOUTH HORSE SHOW TRAIL (AQHA 14-18, GRADE 18 & UNDER, ALL BREED)



PATTERNS PROVIDED BY:  
**Michael Ochetto**

# HOUSTON LIVESTOCK SHOW AND RODEO™ YOUTH HORSE SHOW TRAIL (WALK-TROT 5-10 YRS)



**S t a r t**

**F i n i s h**

1. Jog through the box to gate
2. Right hand gate
3. Walk over elevated poles and into box
4. 1/4 turn to the right in the box
5. Walk over poles and over bridge
6. Jog over poles to finish

Walk	-----
Jog	-----
Extended Jog	-----
Lope	-----
Leg Yield	
Lead Change	-----
Back	←←←←←
Marker	(B)
Sidepass	←-----→

PATTERNS PROVIDED BY:  
**Michael Ochetto**