

# 2024 Paint Horse Show Pattern Book





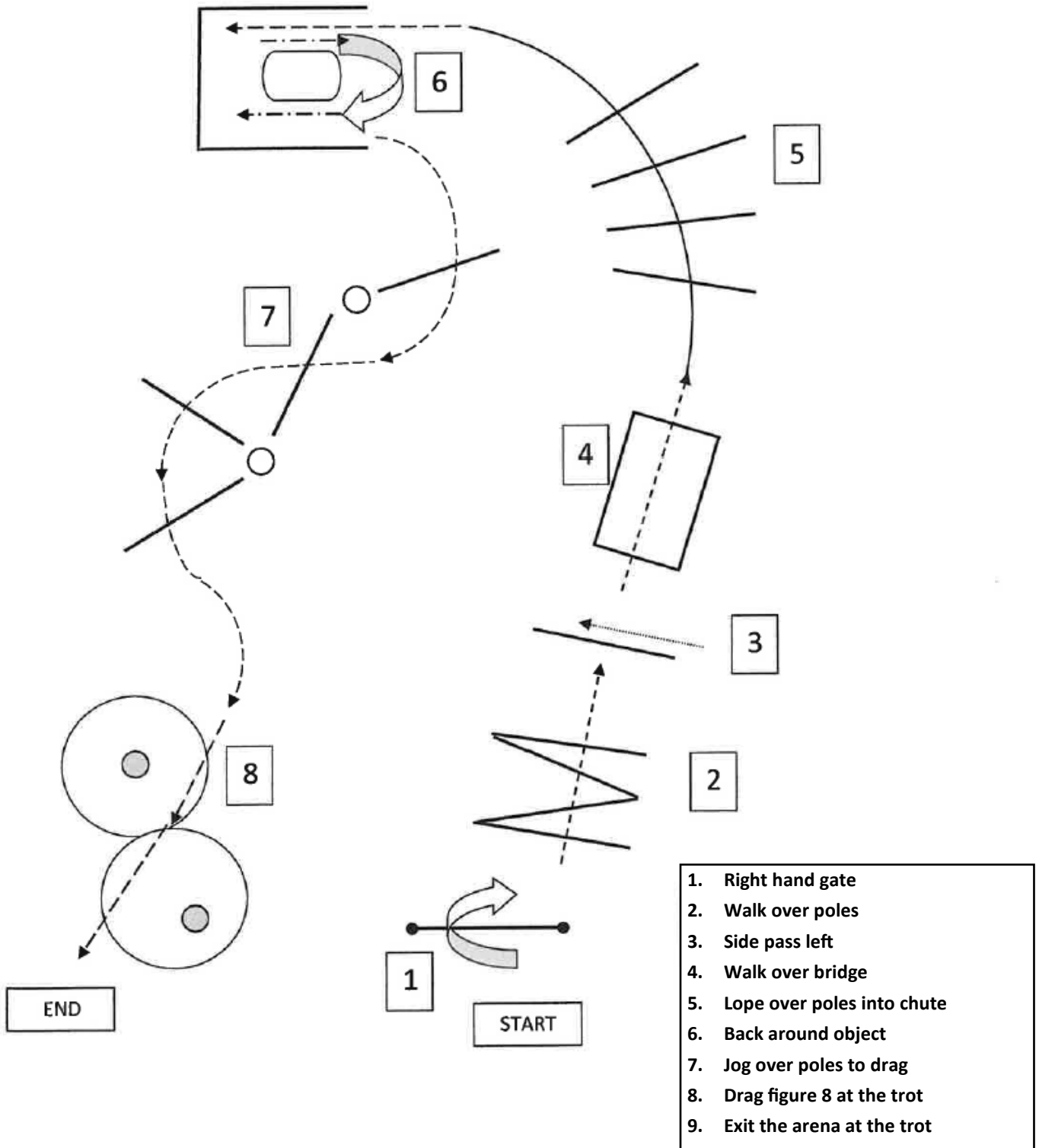
# 2024 Paint Horse Show



## Ranch Trail

Amateur | Open | SPB

Show Date: 03-07-2024





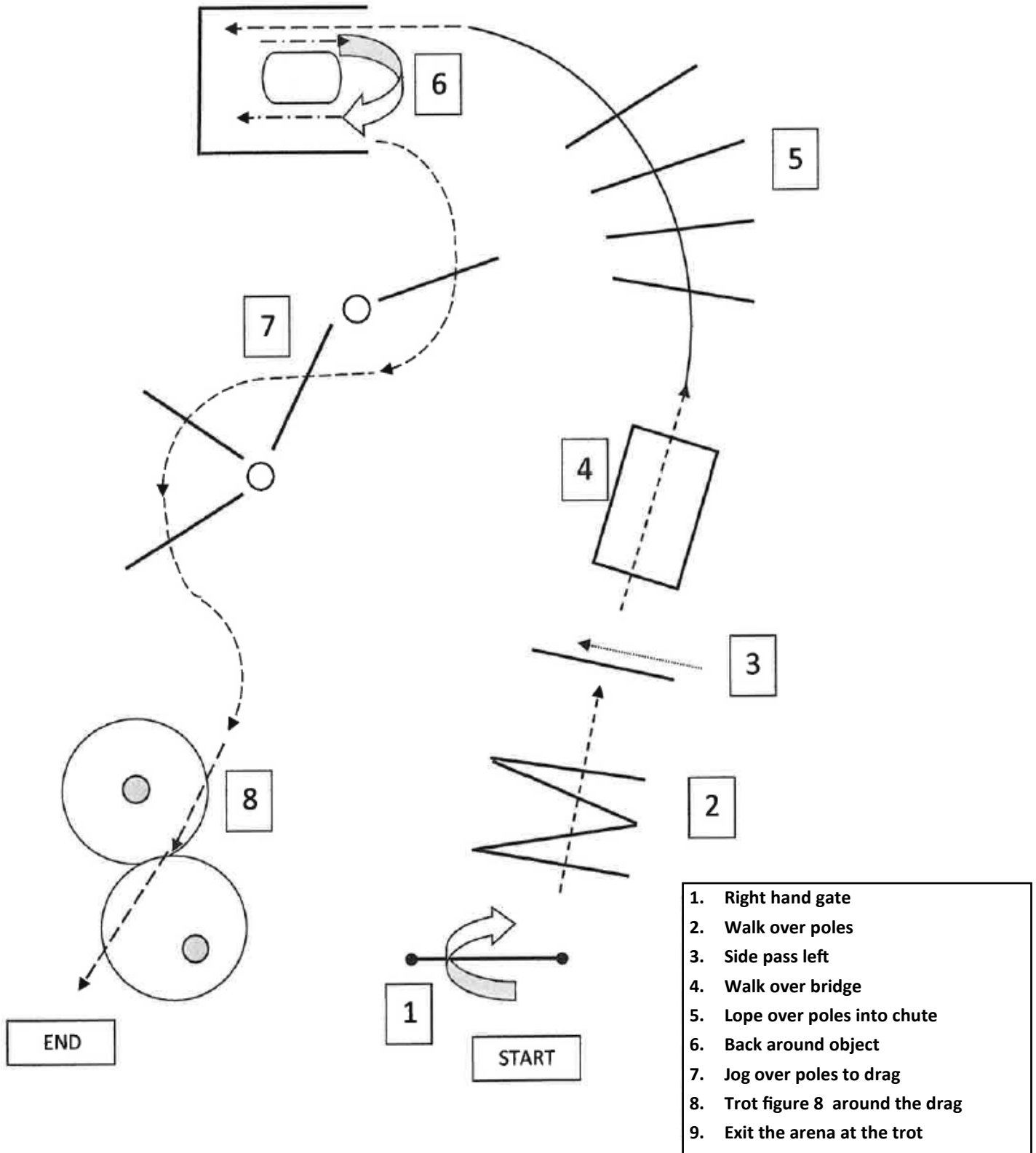
# 2024 Paint Horse Show



## Ranch Trail

Youth

Show Date: 03-07-2024



1. Right hand gate
2. Walk over poles
3. Side pass left
4. Walk over bridge
5. Lope over poles into chute
6. Back around object
7. Jog over poles to drag
8. Trot figure 8 around the drag
9. Exit the arena at the trot



# 2024 Paint Horse Show



## Ranch Horse Pleasure

Open | Youth | Amateur | SPB

Show Date: 03-07-2024

### **PATTERN III**

- **Ordinary Walk - 30 feet**
- **Lope - 150 feet**
- **Extended Trot - 240 feet**
- **Trot - 120 feet**
- **Stop and Reverse**
- **Trot - 90 feet**
- **Lope - 150 feet**
- **Extended Lope - 200 feet**
- **Extended Walk - 75 feet**
- **Stop and Back**



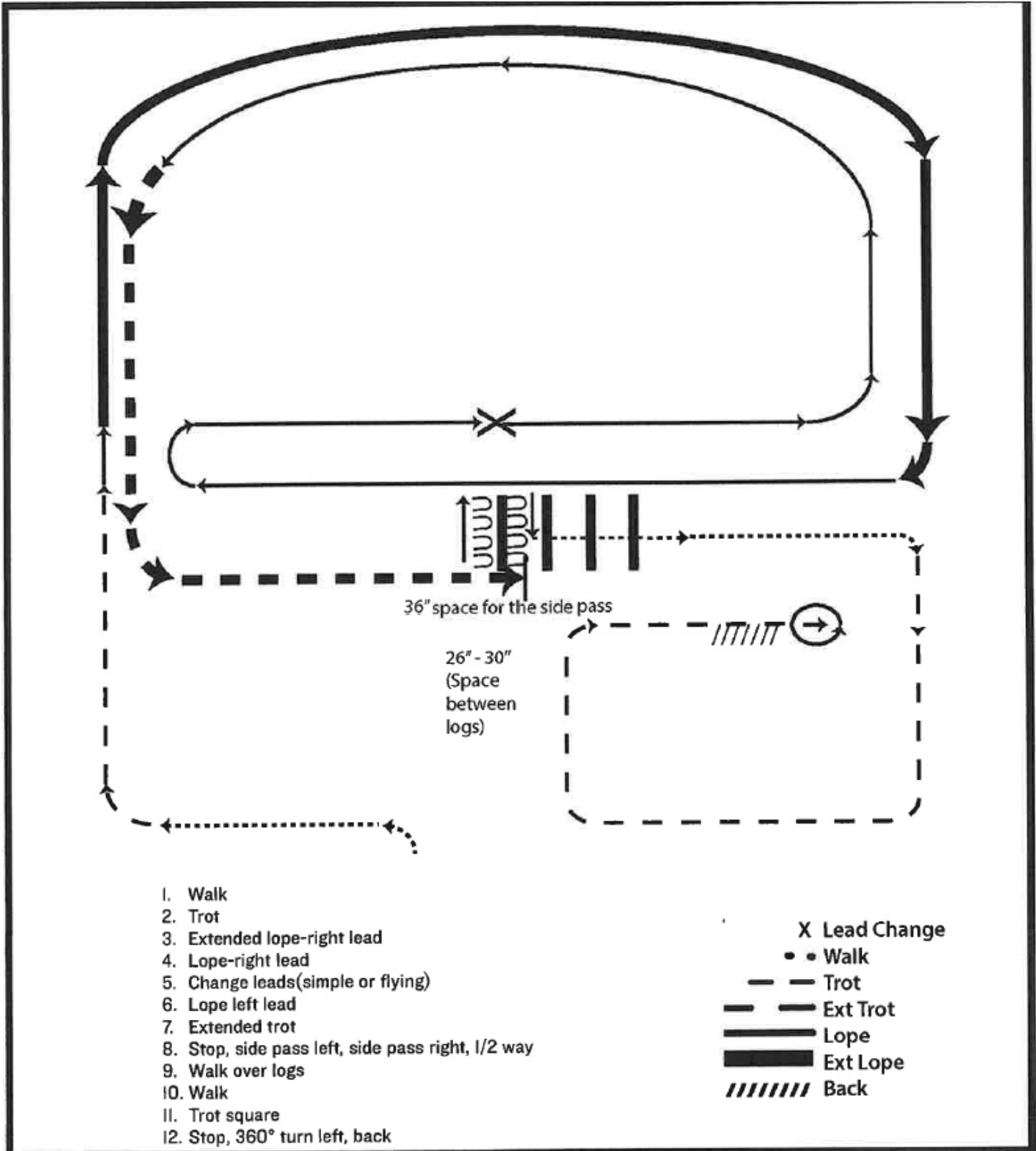
# 2024 Paint Horse Show



## Ranch Riding

Open | Amateur | Youth | SPB

Show Date: 03-07-2024





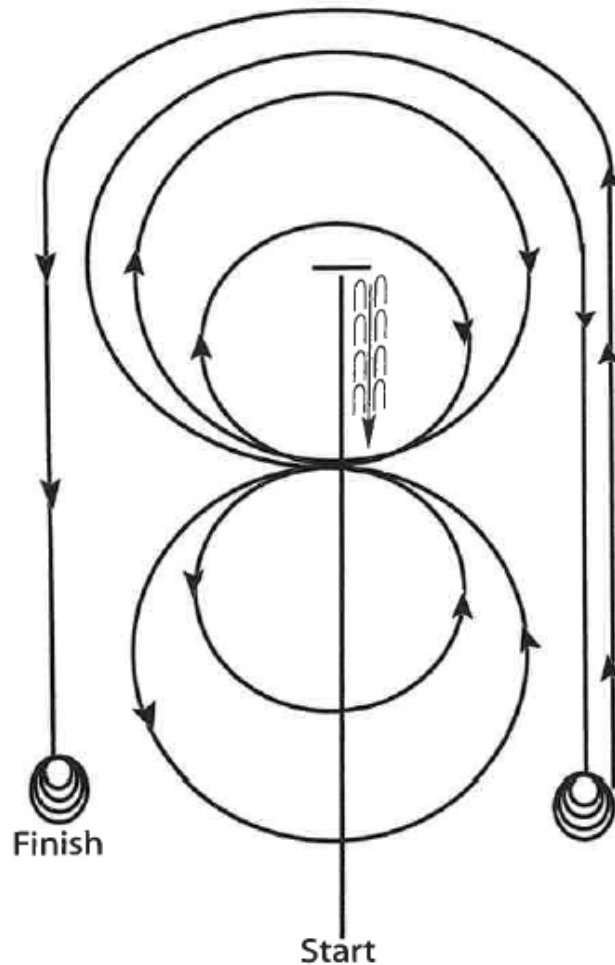
# 2024 Paint Horse Show



## Ranch Reining

Amateur | Youth | Open | SPB

Show Date: 03-07-2024



Pattern 1

1. Start at end of arena. Run down middle past center marker to a sliding stop.
2. Back at least 10 feet to center. 1/4 turn left.
3. Pickup right lead, big fast circle, small slow circle.
4. Change leads to left, big fast circle, small slow circle.
5. Change leads to right, do not close this circle.
6. Run around end of arena and down the side (approximately 20 feet from fence) past center marker and come to a sliding stop.
7. Complete 3 1/2 turns to the right.
8. Continue back down side and end of arena to other side (approximately 20 feet from fence) go past center marker and come to a sliding stop.
9. Complete 3 1/2 turns to the left.
10. Hesitate to complete pattern.



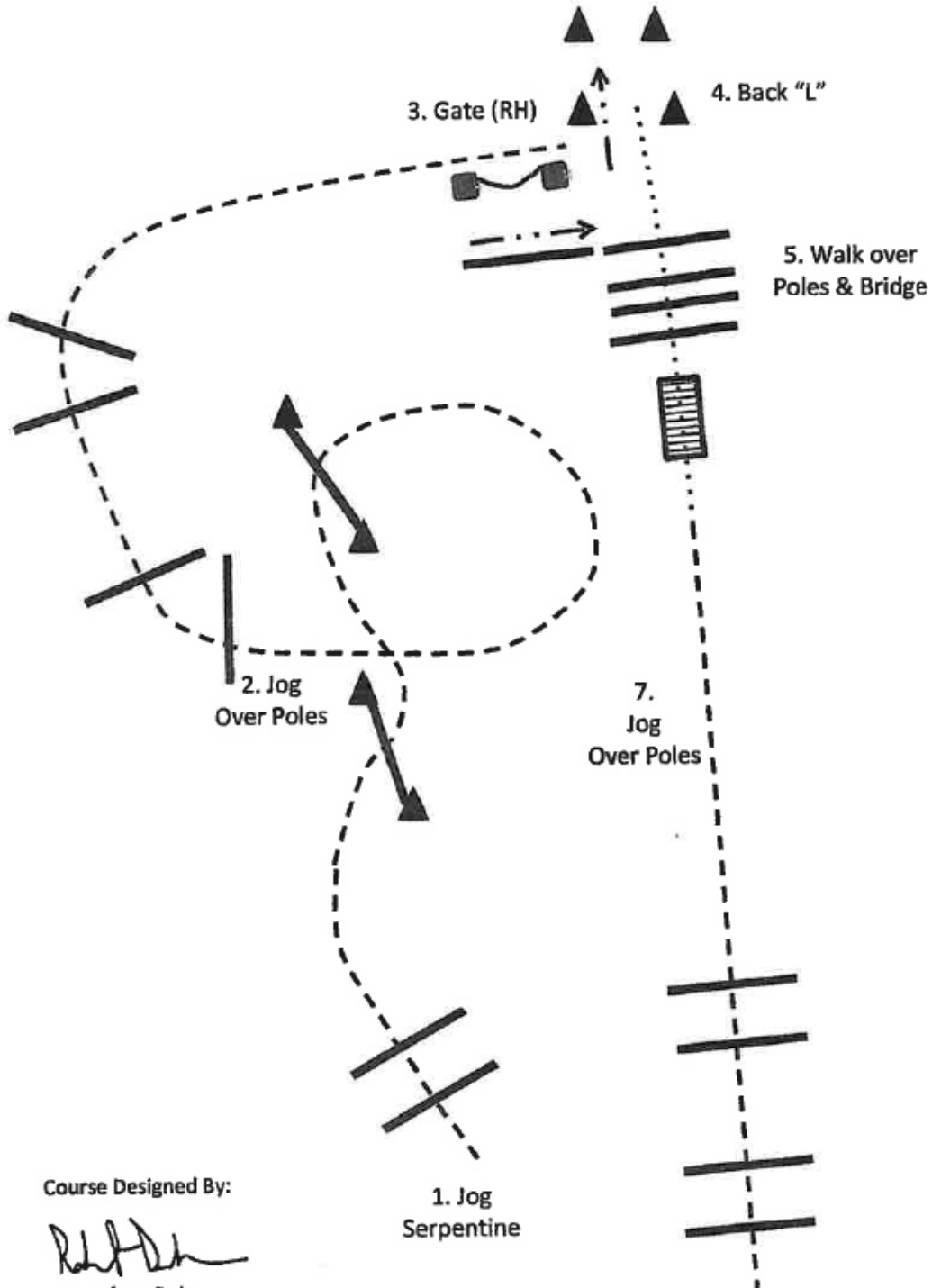
# 2024 Paint Horse Show



## Trail

Youth Walk Trot (5-10) | Amateur Walk Trot

Show Date: 03-07-2024



Course Designed By:

Robert Dehn

© Copyright 2015, All rights reserved



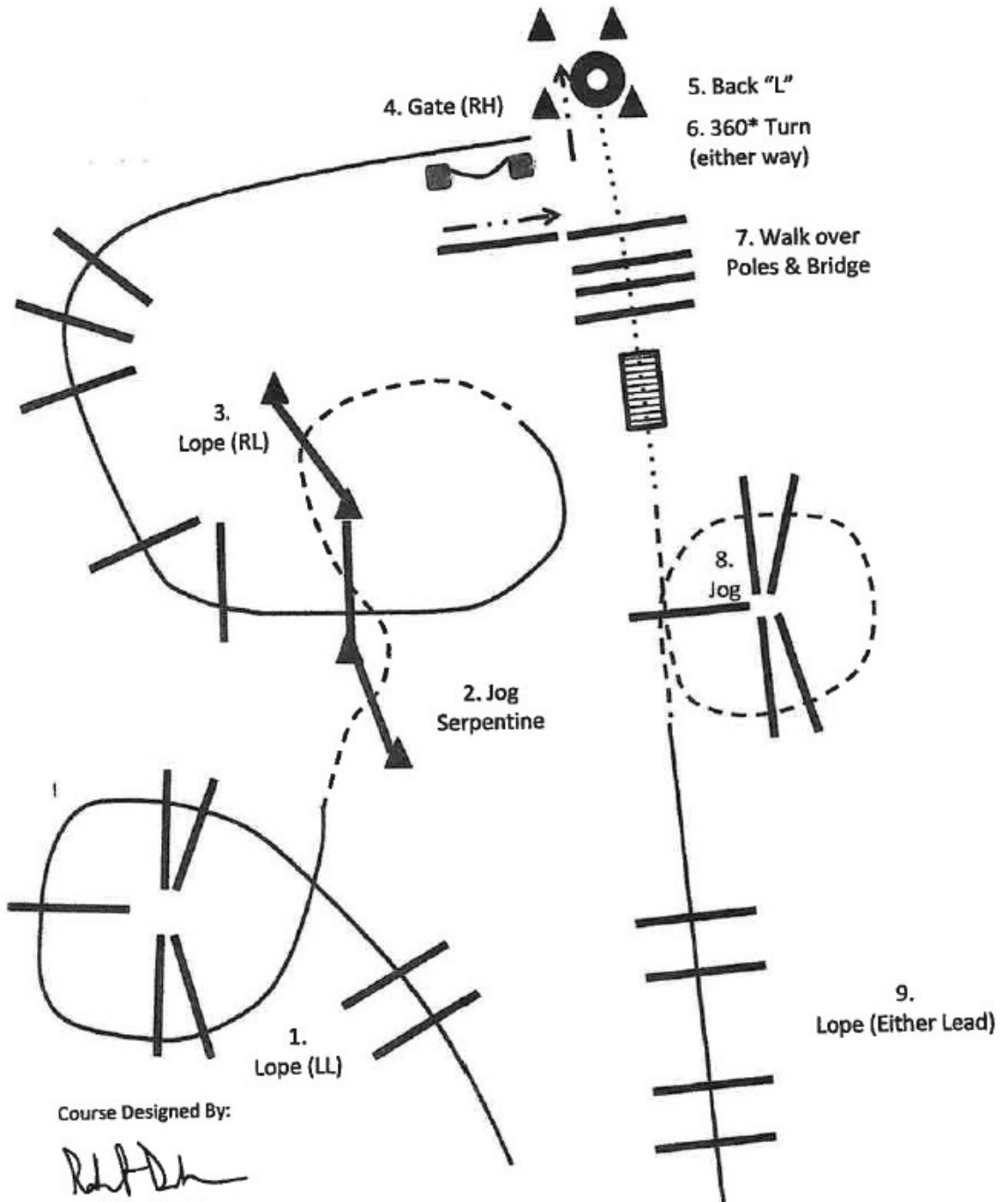
# 2024 Paint Horse Show



## Trail

Novice Youth | Green | Novice Amateur | Youth 13 & U | Youth 18 & U | SPB | Amateur | All Ages

Show Date: 03-07-2024



Course Designed By:

Robert Dehn

© Copyright 2015, All rights reserved

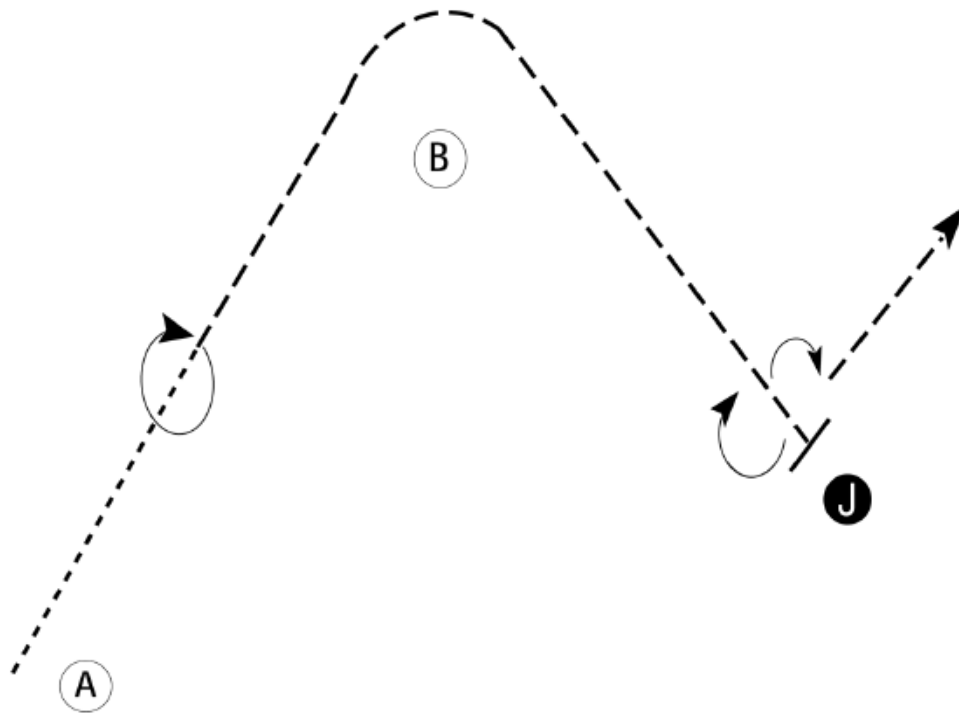


# 2024 Paint Horse Show

## Showmanship

Novice Youth | Novice Amateur | Youth 13 & Under

Show Date: 03-08-2024



Be ready at A.

1. Walk halfway to B.
2. Stop and perform a 360 degree turn.
3. Trot around B to the Judge.
4. Stop and perform a 180 degree turn and set up for inspection.
5. When dismissed perform a 90 degree turn.
6. Trot straight away from the Judge.

Follow the instructions of your ring steward.

Walk	-----
Trot	- - - - -
Back	←
Marker	ⓑ
Judge	ⓐ



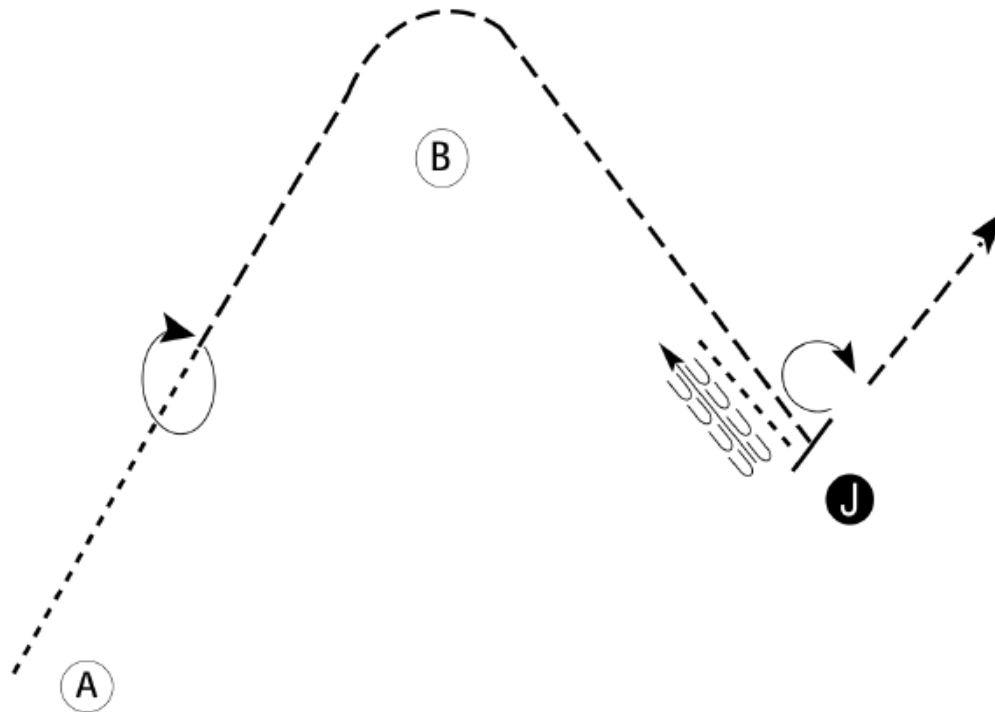
# 2024 Paint Horse Show



## Showmanship

Amateur | Youth 18 & Under

Show Date: 03-08-2024



Be ready at A.

1. Walk halfway to B.
2. Stop and perform a 360 degree turn.
3. Trot around B to the Judge.
4. Stop and back approximately one horse length.
5. Walk to the Judge, stop and set up for inspection.
6. When dismissed, perform a 270 degree turn and trot straight away from the Judge.

Follow the instructions of your ring steward.

Walk	-----
Trot	- - - - -
Back	←
Marker	Ⓚ
Judge	Ⓝ



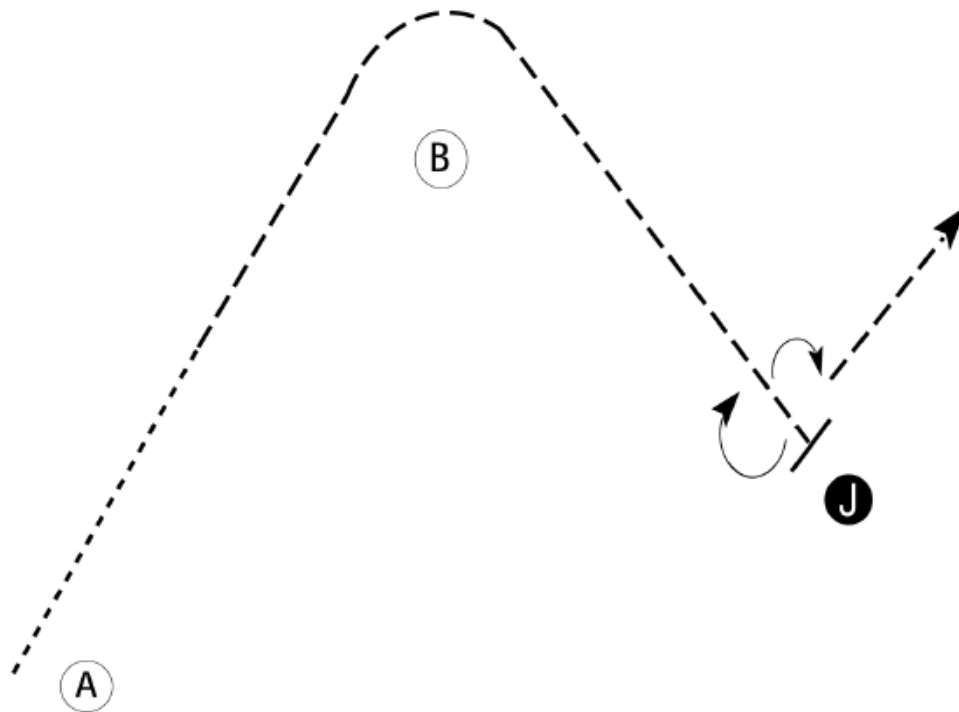
# 2024 Paint Horse Show



## Showmanship

Youth Walk Trot (5-10)

Show Date: 03-08-2024



Be ready at A.

1. Walk halfway to B.
2. Trot around B to the Judge.
3. Stop and perform a 180 degree turn and set up for inspection.
4. When dismissed perform a 90 degree turn.
5. Trot straight away from the Judge.

Follow the instructions of your ring steward.

Walk	-----
Trot	- - - - -
Back	←
Marker	Ⓚ
Judge	Ⓝ



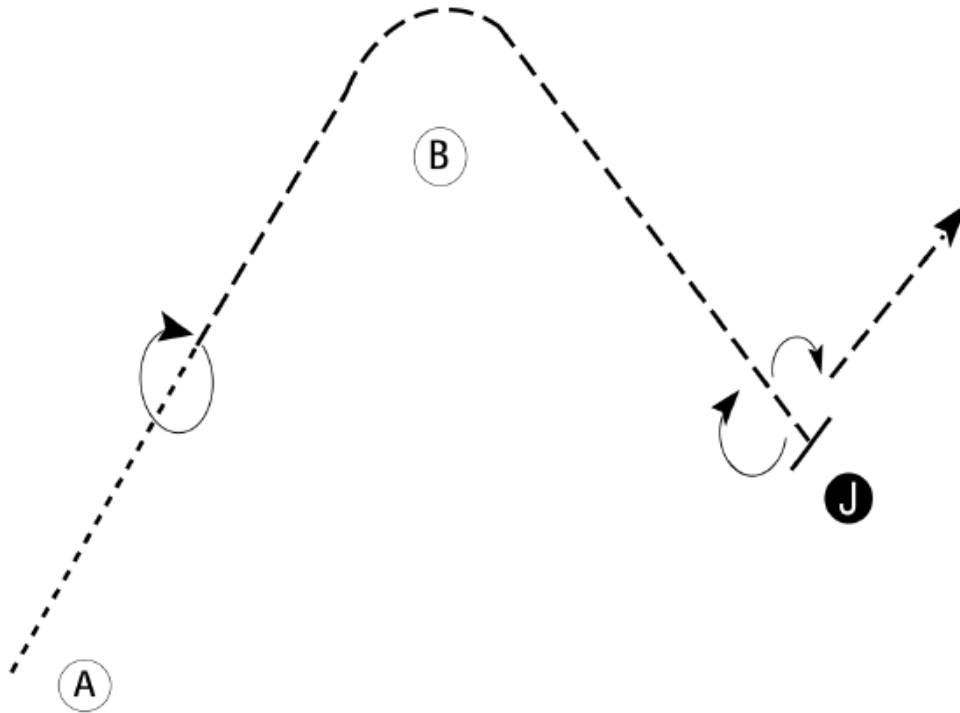
# 2024 Paint Horse Show



## Showmanship

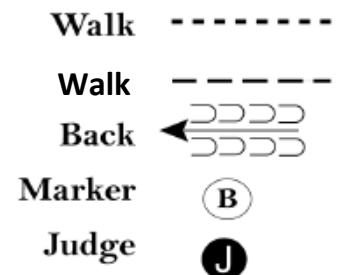
Amateur Walk Trot (WALK ONLY)

Show Date: 03-08-2024



Be ready at A

1. Walk halfway to B.
2. Stop and perform a 360 degree turn.
3. Walk around B to the Judge.
4. Stop and perform a 180 degree turn and set up for inspection.
5. When dismissed perform a 90 degree turn.
6. Walk straight away from the Judge.





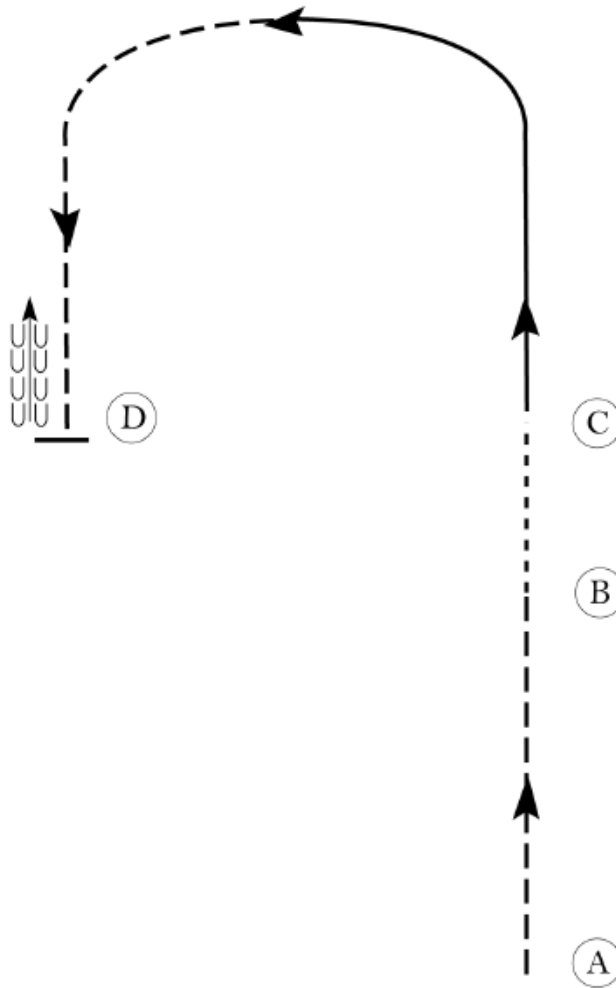
# 2024 Paint Horse Show



## Hunt Seat Equitation

Novice Youth | Novice Amateur

Show Date: 03-08-2024



Be ready at A.

1. Posting trot on the left diagonal from A to B.
2. Walk from B to C.
3. Left lead canter at C.
4. When at the top of the arc, transition to a posting trot on the right diagonal to D.
5. Stop and back approximately one horse length at D.

Exit at a sitting trot.

Walk	-----
Trot	- - - - -
Extended Trot	— — — —
Canter	—————
Leg Yield	
Lead Change	↙ ↘
Back	← 3333 5555
Marker	(B)
Sidepass	← — — — →
Hand Gallop	—————



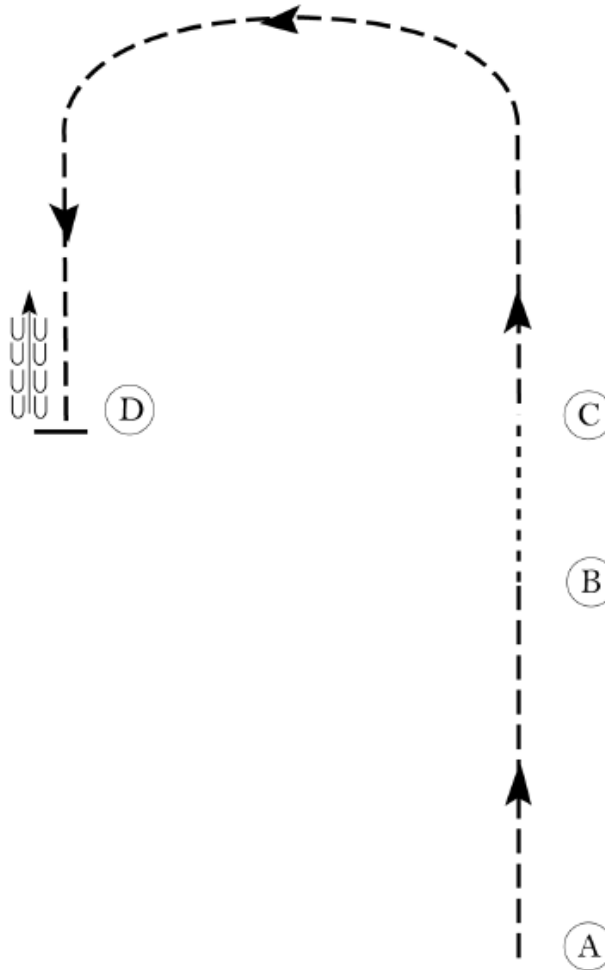
# 2024 Paint Horse Show



## Hunt Seat Equitation

Amateur Walk Trot | Youth Walk Trot

Show Date: 03-08-2024



Be ready at A.

1. Posting trot on the left diagonal from A to B.
2. Walk from B to C.
3. Posting trot on the right diagonal from C to D.
4. Stop and back approximately one horse length at D.

Exit at a sitting trot.

Walk	-----
Trot	- - - - -
Extended Trot	— — — —
Canter	—————
Leg Yield	
Lead Change	— / —
Back	← ← ← ←
Marker	(B)
Sidepass	← ← ← ←
Hand Gallop	— — — —



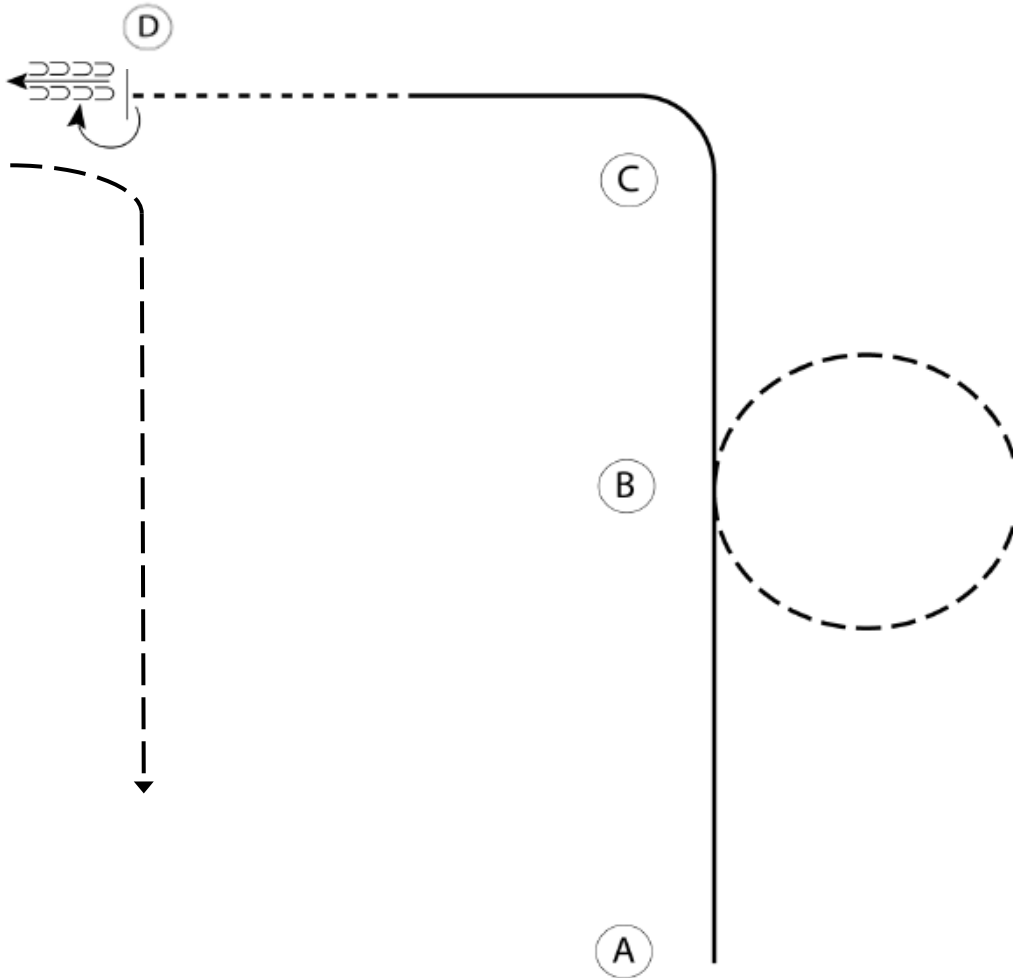
# 2024 Paint Horse Show



## Hunt Seat Equitation

Youth (18 & Under) | Amateur

Show Date: 03-08-2024



1. Canter on the right lead from A to B
2. At B circle to the right at the posting trot
3. At B canter on the left lead around C
4. Halfway between C and D break to the walk
5. Walk to D. At D stop and perform a 180 degree turn on the forehand to the right
6. Back one horse length
7. Sitting trot to the exit

Walk	-----
Trot	- - - - -
Extended Trot	-----
Canter	-----
Leg Yield	
Lead Change	↘
Back	←←←←←
Marker	Ⓚ
Sidepass	←←←←←
Hand Gallop	-----

# 2024 Paint Horse Show

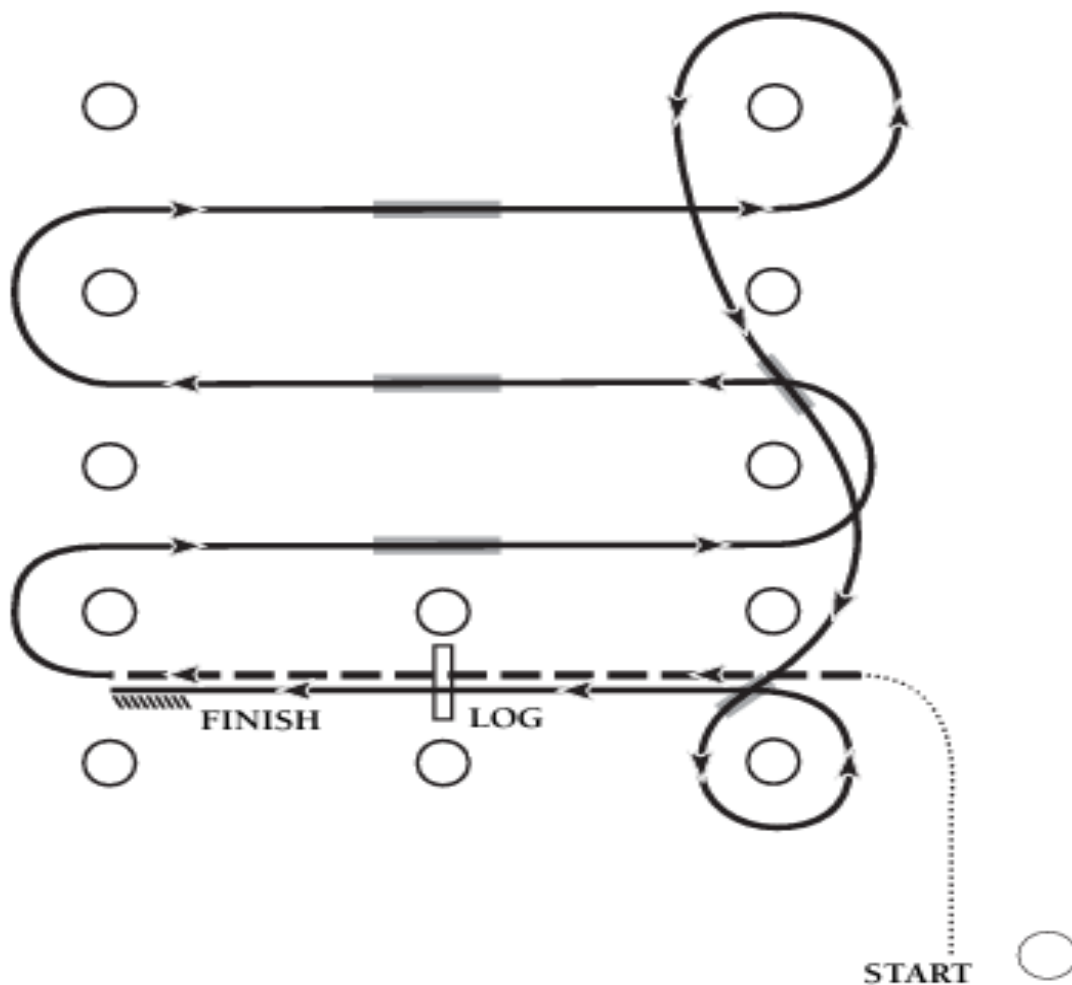
## Western Riding

Green

Show Date: 03-09-2024

### Green Western Riding Pattern #7

---



1. Walk at least 15 feet from start cone to the first marker, as drawn, transition to jog, jog over log.
2. Transition to right lead lope
3. First crossing change.
4. Second crossing change.
5. Third crossing change.
6. Circle and first line change.
7. Second line change and circle.
8. Lope over log.
9. Stop and back.





# 2024 Paint Horse Show



## Western Riding

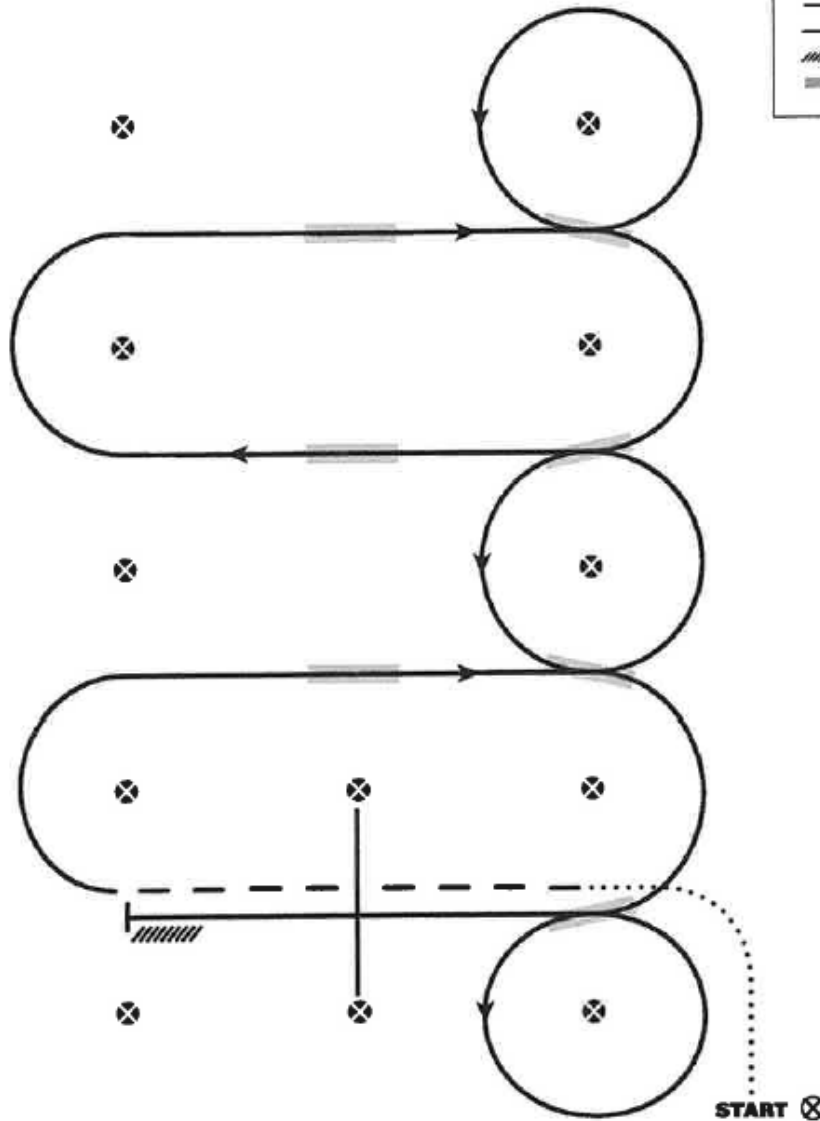
Amateur | Youth 18 & Under | Open

Show Date: 03-09-2024

### WESTERN RIDING - PATTERN 7

#### LEGEND

.....	Walk
- - - -	Jog
————	Lope
///////	Back
————	Lead Changing Arcs



1. Walk at least 15 feet from start cone to the first marker, as drawn, transition to jog, jog over log.
2. Transition to the lope right lead
3. First crossing change
4. Second crossing change
5. Third crossing change
6. Circle & first line change
7. Second line change
8. Third line change
9. Fourth line change & circle
10. Lope over log
11. Lope, stop & back

Revised 06-07-2021



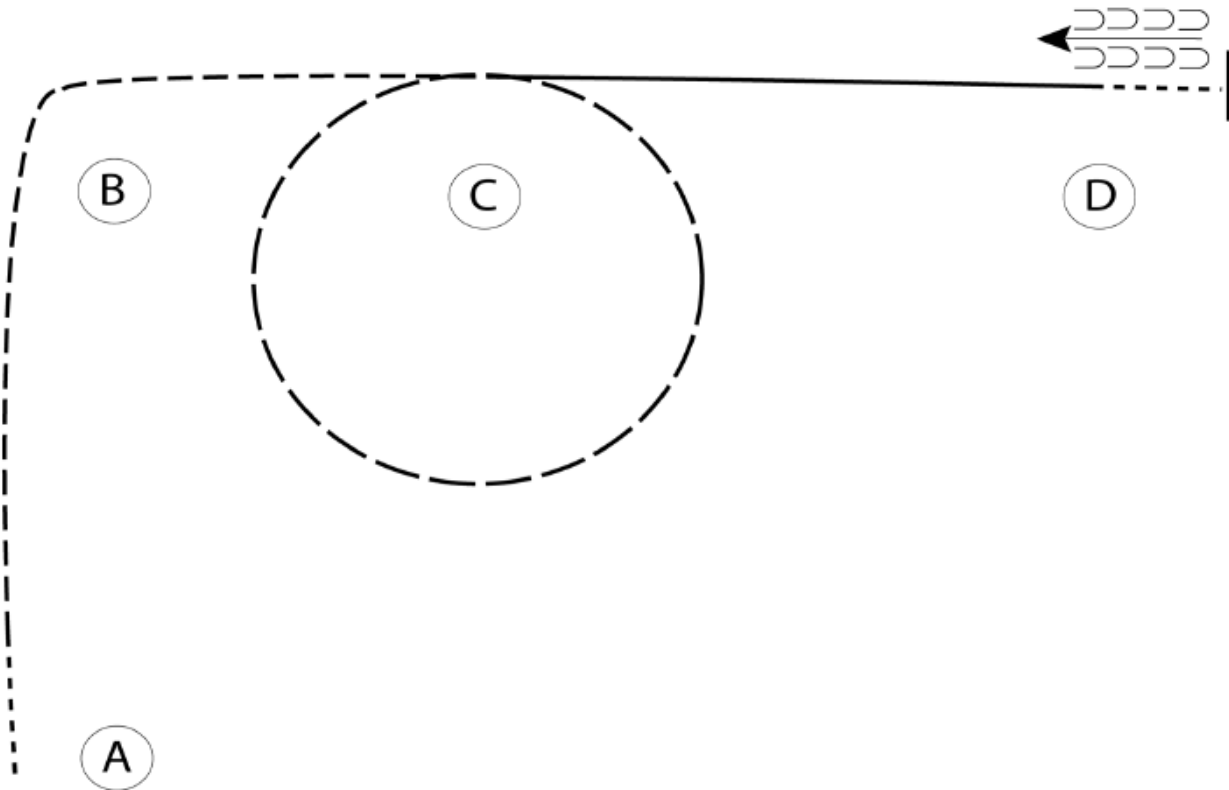
# 2024 Paint Horse Show



## Western Horsemanship

Novice Youth | Novice Amateur | Youth 13 & Under

Show Date: 03-09-2024



Be ready at A.

1. Walk approximately 10 feet.
2. Jog around B and to C.
3. Extended jog circle to the right.
4. Return to C and lope on the left lead to D.
5. Walk at D and walk approximately 10 feet.
6. Stop and back to D.

Follow the instructions of your ring steward.

Walk	-----
Jog	-----
Extended Jog	-----
Lope	-----
Leg Yield	
Lead Change	—/—
Back	←←←←←
Marker	⊙ B
Sidepass	←-----→



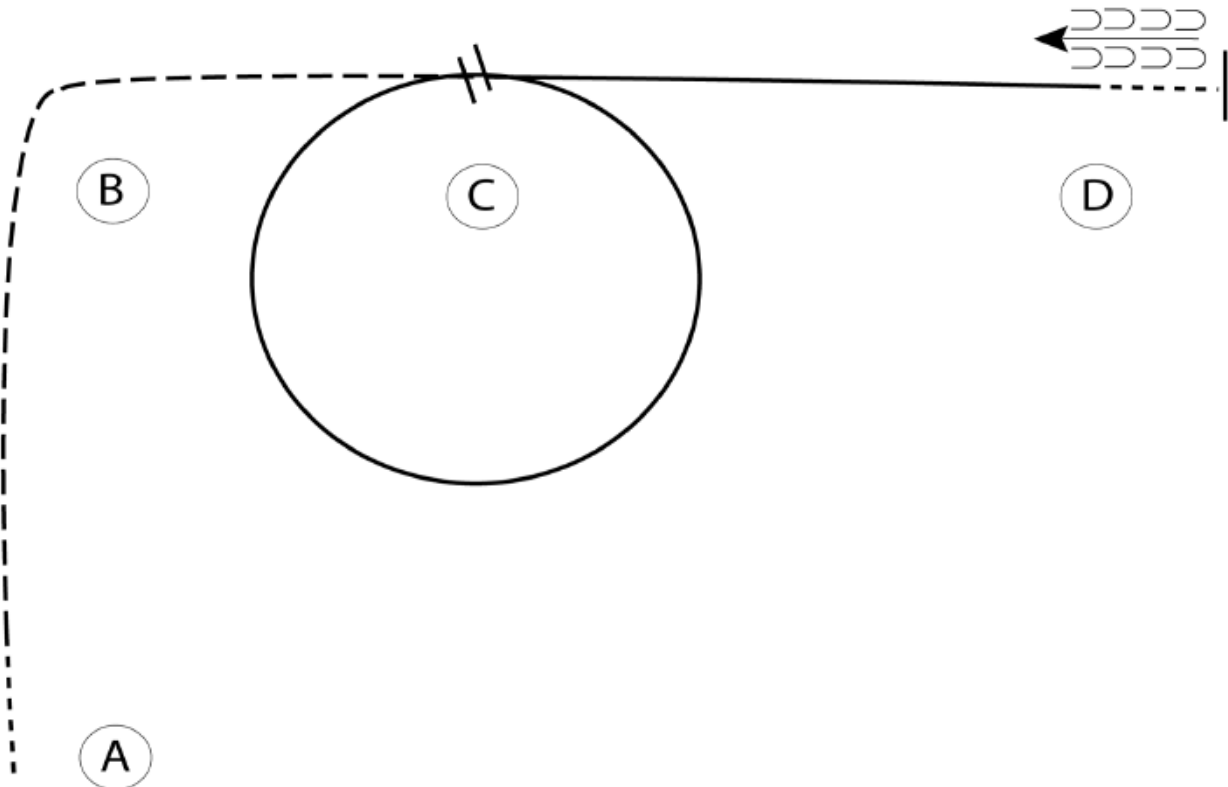
# 2024 Paint Horse Show



## Western Horsemanship

Amateur | Youth 18 & Under

Show Date: 03-09-2024



Be ready at A.

1. Walk approximately 10 feet.
2. Jog around B to C.
3. Lope a circle to the right on the right lead.
4. Return to C and perform a lead change (can be flying or simple).
5. Lope on the left lead to D.
6. Walk at D and walk approximately 10 feet.
7. Stop and back to D.

Follow the instructions of your ring steward.

Walk	-----
Jog	-----
Extended Jog	-----
Lope	=====
Leg Yield	
Lead Change	-----
Back	←←←←←
Marker	⊙ B
Sidepass	←-----←



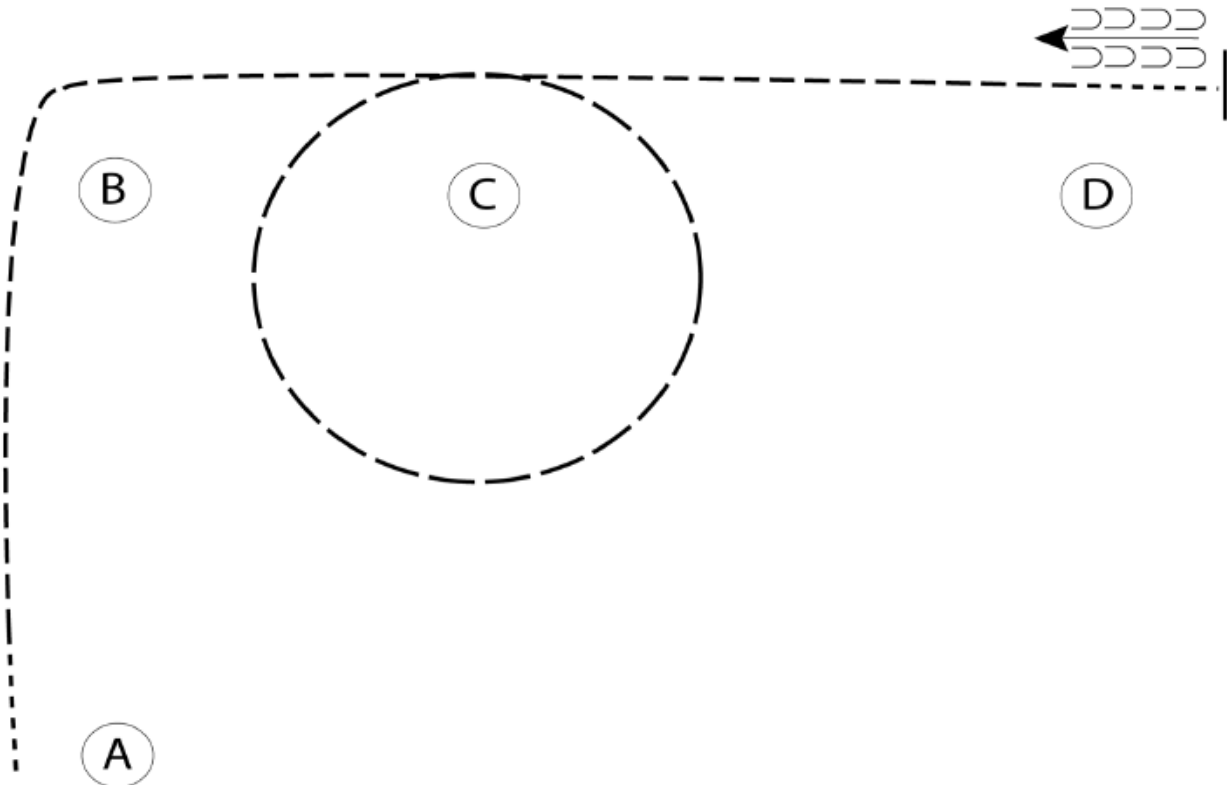
# 2024 Paint Horse Show



## Western Horsemanship

Amateur Walk Trot | Youth Walk Trot (5-10)


Show Date: 03-09-2024



Be ready at A.

1. Walk approximately 10 feet.
2. Jog around B and to C.
3. Extended jog circle to the right.
4. Return to C and slow to the jog.
5. Jog to D.
6. Walk at D and walk approximately 10 feet.
7. Stop and back to D.

Follow the instructions of your ring steward.

Walk	-----
Jog	- - - - -
Extended Jog	- - - - -
Lope	—————
Leg Yield	
Lead Change	— / —
Back	← 
Marker	⊙ B
Sidepass	← 